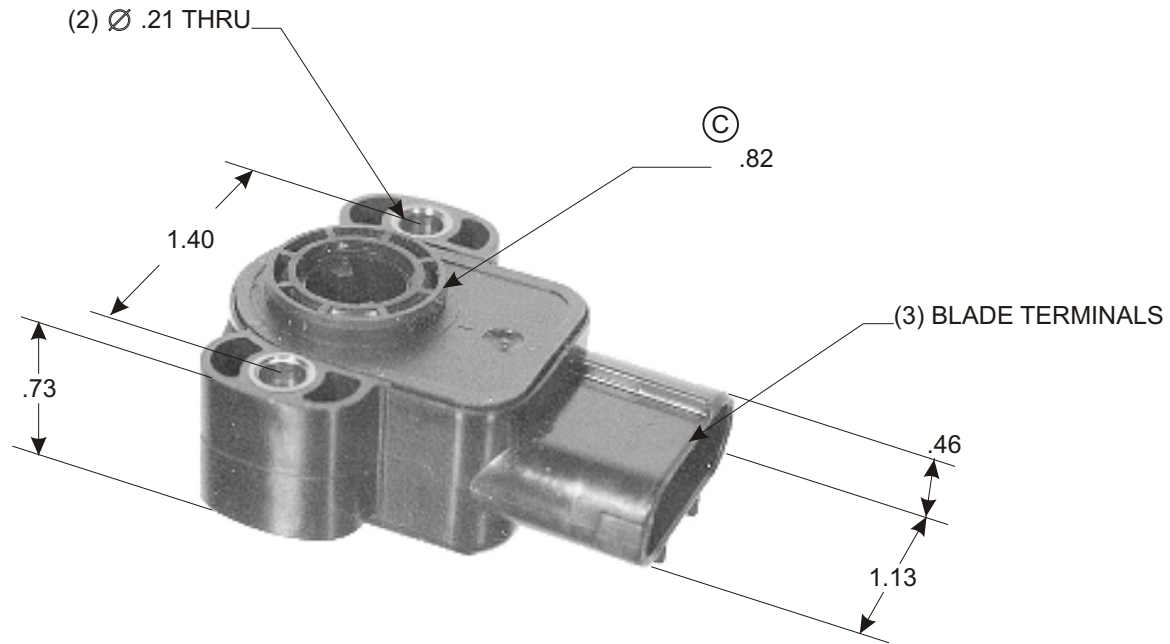


PART NO. **TPS245**

TOLERANCES UNLESS SPECIFIED		
TWO PLACE DECIMALS +/- .015	THREE PLACE DECIMALS +/- .005	ANGLES +/- 1°



(A) (B) (C)

REPLACES O.E.M. # CX1488, F4SF-9B989-AA, F4SZ-9B989-A, ZZM3-18-851, F80Z-9B989-AA, F80F-9B989-AA, F79Z-9B989-AA, F4SZ-9B989-AA, DY967

					MATERIAL	N/A	SCALE	NTS			
C	REVISED DIM'S & ADD O.E. #	28709	6-24-05	GC	FINISH	N/A	DATE	9-8-97	DWN. BY	SAM	
B	ADD O.E. #S	25162	3-18-02	GC			ENGINEER	9-8-97	DAL	TITLE	
A	ADDED ZZM3-18-851	21652A	8-10-98	GC			APPROVED	9-8-97	JSK	PART NO.	TPS245
	RELEASED	20729A	4-4-97	SAM	PURCH.	<input type="checkbox"/>	PROD.	<input type="checkbox"/>			
L	REVISION	CN	DATE	BY	CAD REF.	N/A	MODEL				