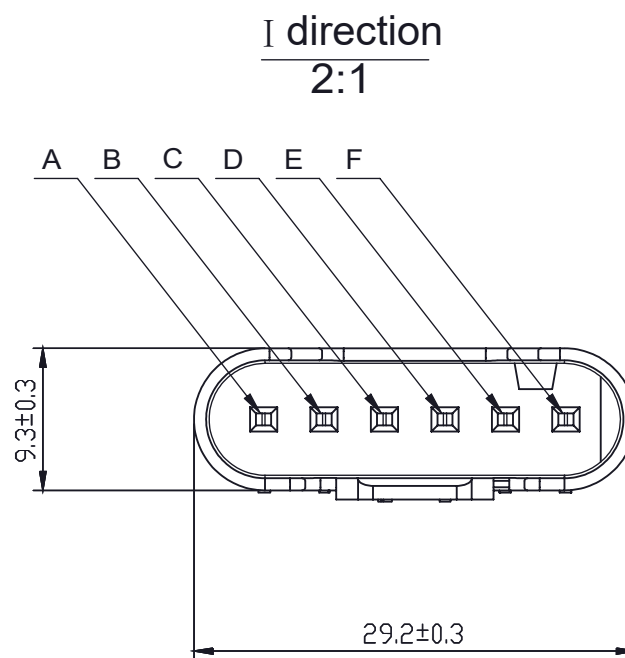
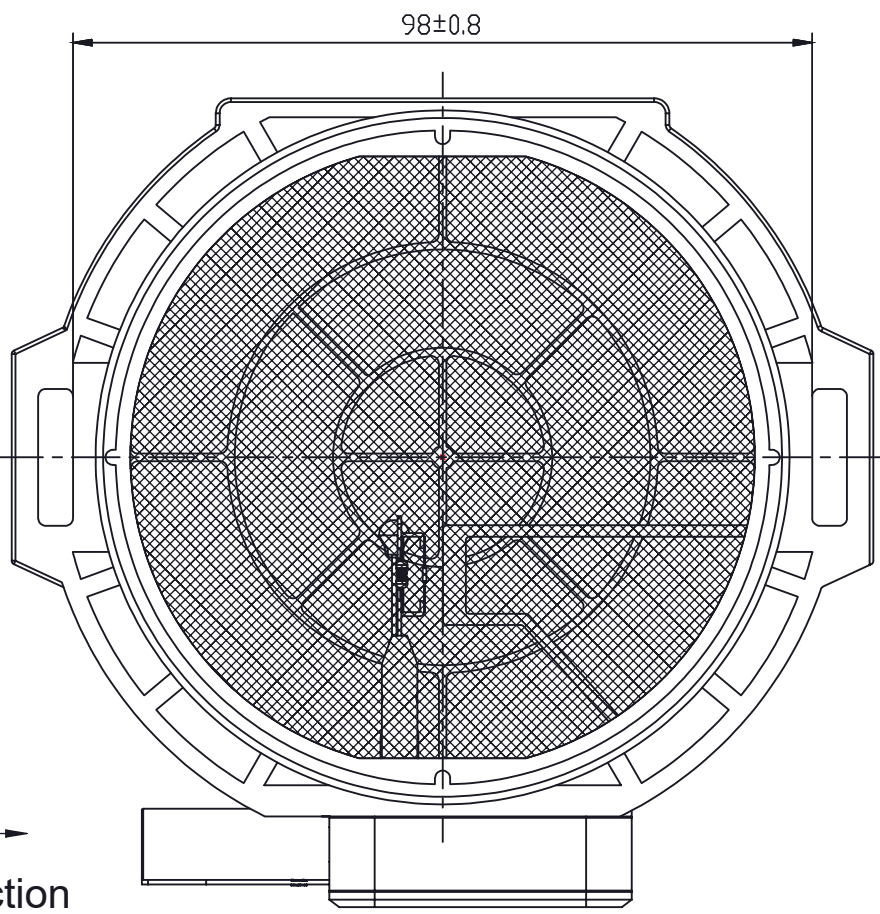
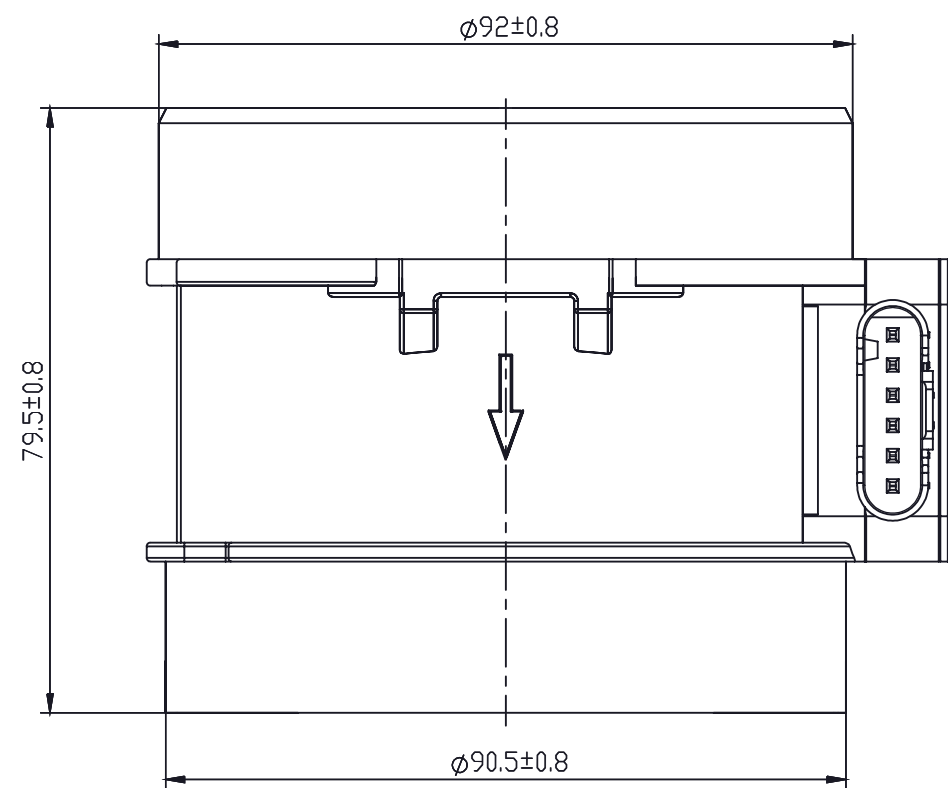
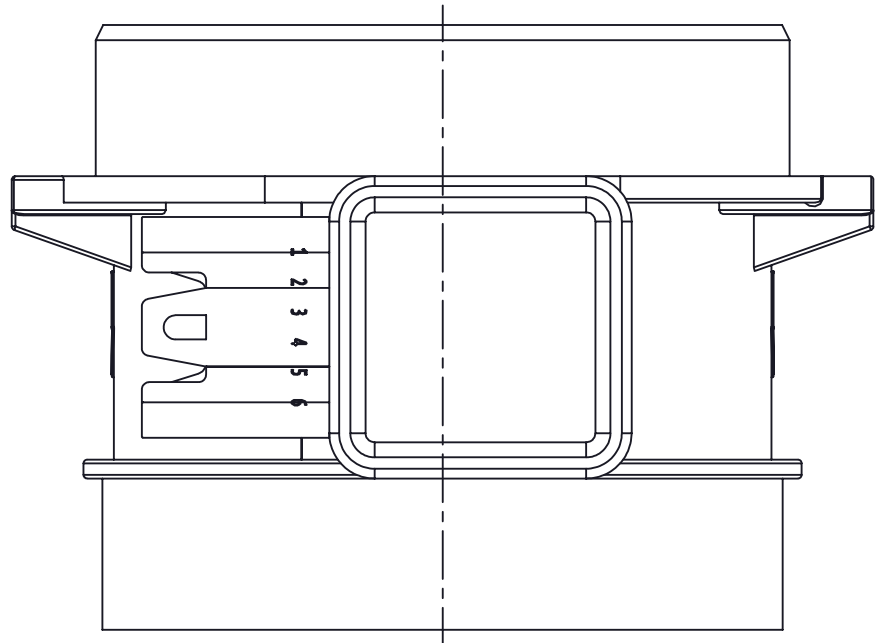


REVISION				
REV.	DESCRIPTION	ECN	DATE	BY
-	RELEASED	45331	1/23/2020	RNK

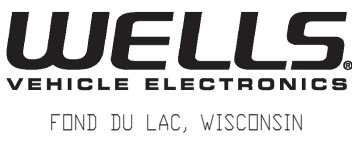
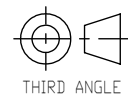


MODE OF CONNECTION

PIN	FUNCTION
A	RT
B	GND
C	GND
D	OUT
E	+14V
F	+5V

Technical Requirements:

- 1.The output voltage is 0~5v,precision is $\pm 3\%$.
- 2.Response time $\leq 20\text{ms}$.
- 3.The rated flow of measurement ranges from 0 to 800kg/h.
- 4.Nominal voltage is 14v,adaptable voltage is 9V~16V.
- 5.The operating temperatue range is $-40^{\circ}\text{C} \sim 120^{\circ}\text{C}$.

KEY CHARACTERISTIC		◇KPC/KCC 0 TOTAL 0 LAST NO. USED		OSC 0 TOTAL 0 LAST NO. USED				
DATE	1/23/2020	SCALE	1:1	DRAWN BY	Luxiajun			
MATERIAL	N/A	ENGINEER	Wuxiangjun	 FOND DU LAC, WISCONSIN				
FINISH	N/A	TITLE	SENSOR MAF					
UNLESS OTHERWISE SPECIFIED DIM ARE IN MILLIMETERS ANGLE $\pm 1^{\circ}$ X ± 0.3 XX ± 0.13 GD&T ASME Y14.5-2009		 THIRD ANGLE		TYPE	SIZE	SHEET	PART NO.	REV
				C	1 OF 1		5S2990	-

Looking for dependable replacement air intake parts? Rely on WVE for quality and long-lasting products.