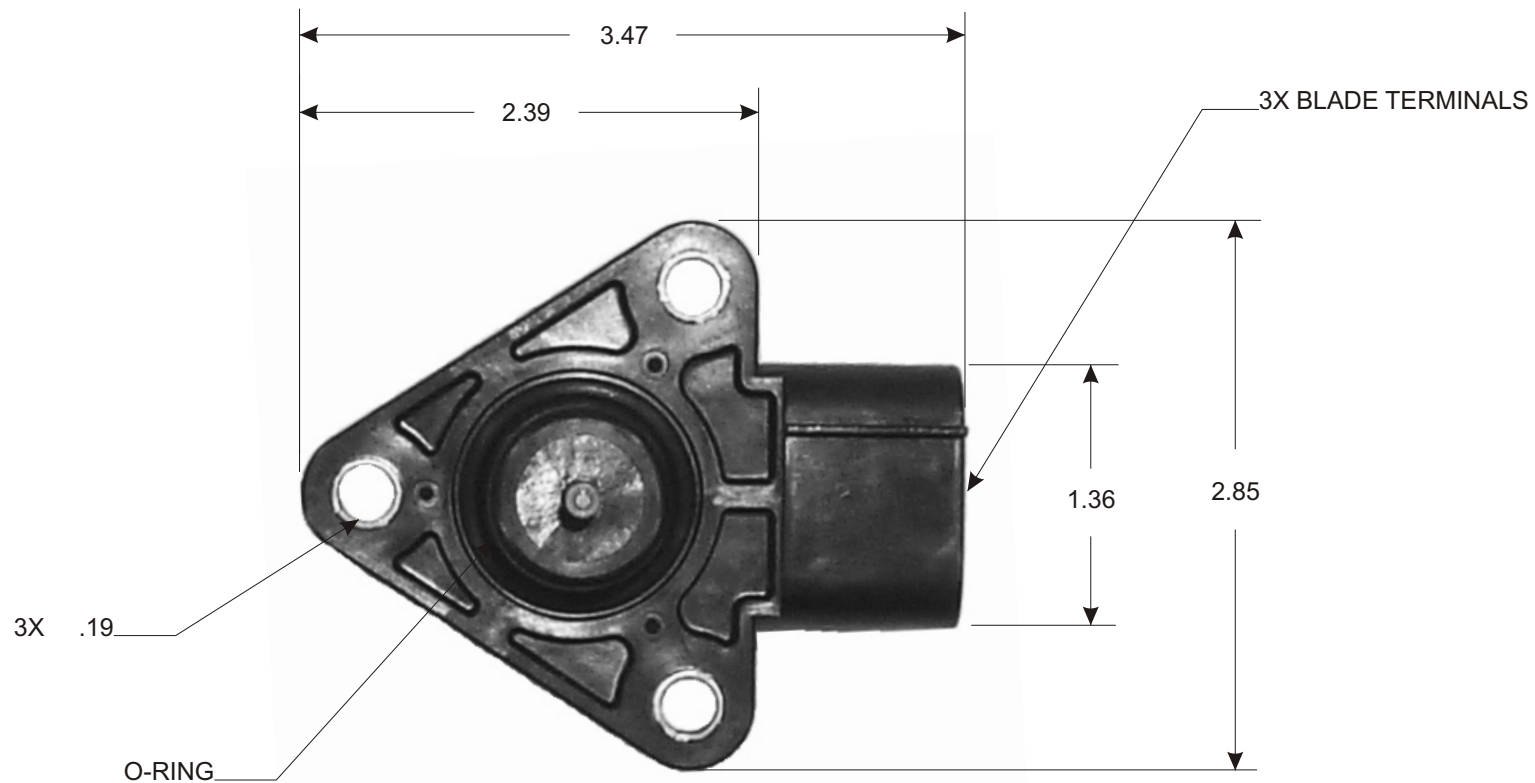



PART NO. SU4755

TOLERANCES UNLESS SPECIFIED		
TWO PLACE DECIMALS +/- .015	THREE PLACE DECIMALS +/- .005	ANGLES +/- 1°



REPLACES O.E.M. # 89455-33020

					MATERIAL	N/A	SCALE	NTS			
					FINISH	N/A	DATE	11-23-99		DWN. BY	GC
							ENGINEER	11-23-99		MAR	
					APPROVED	11-23-99	JSK				
	RELEASED DRAWING	22681A	11-23-99	GC	PURCH.	<input type="checkbox"/>	PROD.	<input type="checkbox"/>	TITLE	EGR VALVE POSITION SENSOR	
L	REVISION	CN	DATE	BY	CAD REF.	SU4755	MODEL		PART NO.	SU4755	

Learn more about oxygen sensors and components we have.