

PART NO. SU2188

TOLERANCES UNLESS SPECIFIED

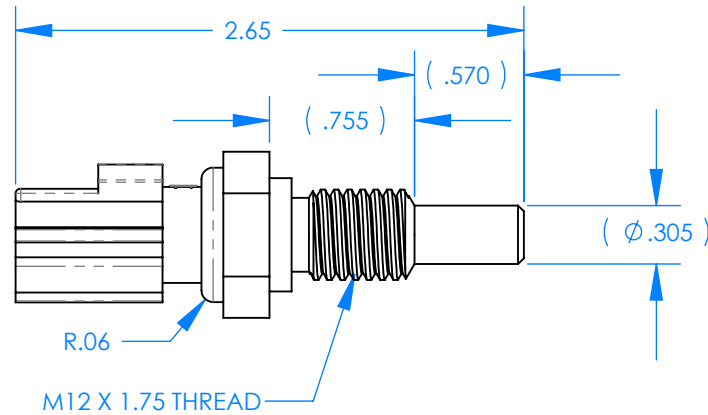
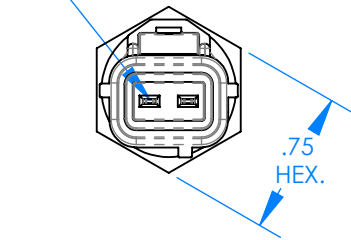
TWO PLACE DECIMALS +/- .015

THREE PLACE DECIMALS +/- .005

ANGLES +/- 1°



2X .070 X 0.25 TERMINALS



SPECIFICATIONS

TEMPERATURE (°C)	RESISTANCE (OHMS)	
	MIN.	MAX.
25	27,750	32,250
37.8	16,459	19,129
104.4	1,755	2,145

ⓑ

REPLACES O.E.M.# F65Z-6G004-AB, F65F-6G004-AB, F65F-9G004-AB, F65Z-9G004-AB, 8L3Z-6G004-A

					MATERIAL	N/A	SCALE	1:1				
							DATE	8-5-05		DESIGNED BY	DWJ	
							ENGINEER	8-5-05		JDZ		
							APPROVED	8-5-05		JSK		
B	ADDED OE NUMBER	36301	3-11-13	DEK	FINISH	N/A	PURCH.	<input type="checkbox"/>	PROD.	<input checked="" type="checkbox"/>	TITLE	CYLINDER HEAD TEMPERATURE SENSOR
A	REDRAWN WITH CHANGES	28806	8-5-05	DWJ			MODEL	N/A			A	PART NO. SU2188
L	REVISION	CN	DATE	BY	CAD REF.	N/A						