

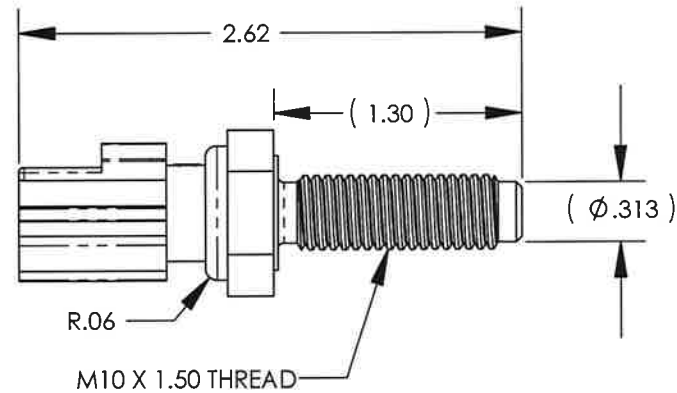
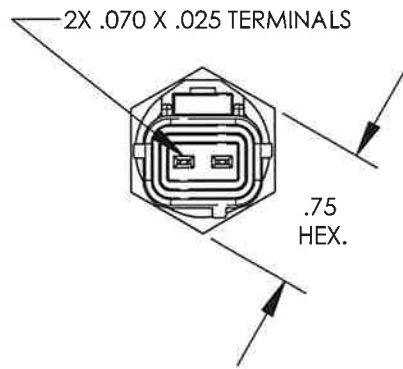
PART NO. SU2193

TOLERANCES UNLESS SPECIFIED

TWO PLACE DECIMALS +/- .015

THREE PLACE DECIMALS +/- .005

ANGLES +/- 1°



SPECIFICATIONS		
TEMPERATURE (°C)	RESISTANCE (OHMS)	
	MIN.	MAX.
25	27,750	32,250
37.8	16,459	19,129
104.4	1,755	2,145

REPLACES OE.M.# XL3Z-6G004-AA, XL3Z9-G004-AA, XL3F9-G004-AA, XL3F-6G004-AA

					MATERIAL	N/A	SCALE	1:1	<b>WELLS</b> MANUFACTURING CORP. FOND DU LAC, WISCONSIN	
					FINISH	N/A	DATE	8-5-05		
							ENGINEER	8-5-05	JDZ	
							APPROVED	8-5-05	JSK	
A	REDRAWN WITH CHANGES	28806	8-5-05	DWJ			PURCH.	<input type="checkbox"/>	PROD.	<input checked="" type="checkbox"/>
L	REVISION	CN	DATE	BY	CAD REF.	N/A	MODEL	N/A	<b>A</b>	PART NO. SU2193