

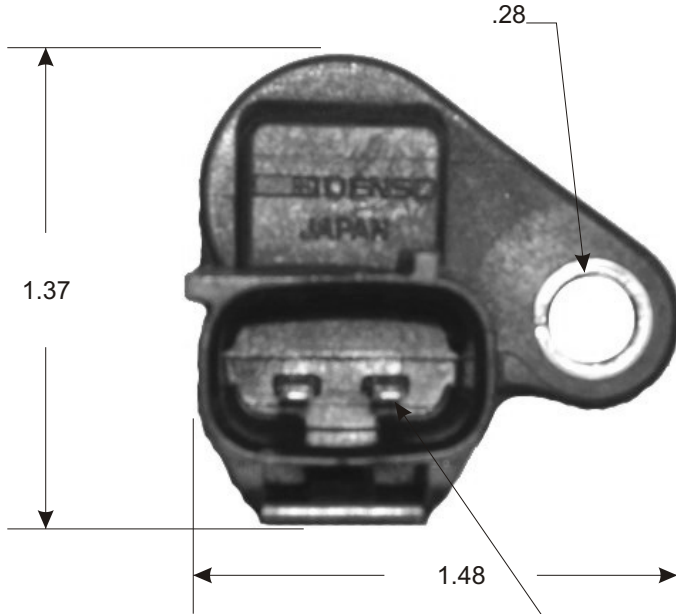
PART NO. SU4044

TOLERANCES UNLESS SPECIFIED		
TWO PLACE DECIMALS +/- .015	THREE PLACE DECIMALS +/- .005	ANGLES +/- 1°

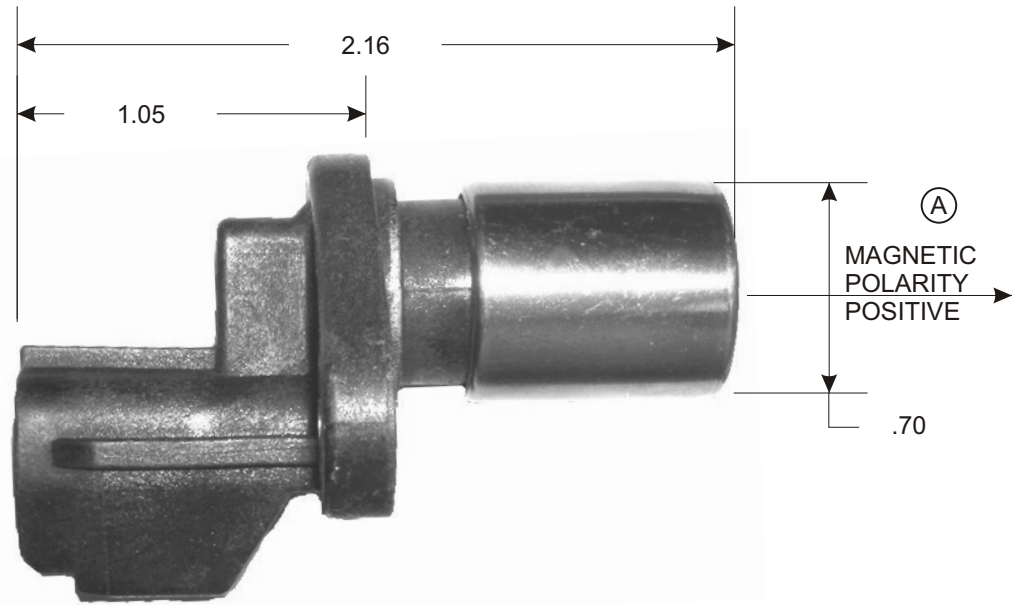
(A)

RESISTANCE AT 25 C= 2.13K OHMS 10%  
 INDUCTANCE AT 25 C= 956.13 mH 10%

(A)



(2) .09 MALE BLADE TERMINALS



REPLACES O.E.M. # 90919-05012

					MATERIAL	SCALE	NTS	<b>WELLS</b>			
						DATE	11-12-97		DWN. BY	DPH	
						ENGINEER	11-12-97			DAL	
						APPROVED	11-12-97			JSK	
A	ADD SPECIFICATIONS, SEE ECN FOR DETAILS	32487	8-7-09	RTN	FINISH	PURCH.	<input type="checkbox"/>	PROD.	<input type="checkbox"/>	TITLE	CRANKSHAFT POSITION SENSOR
	RELEASED	20587A	2-19-97	DPH		MODEL				PART NO.	SU4044
L	REVISION	CN	DATE	BY	CAD REF.		N/A				