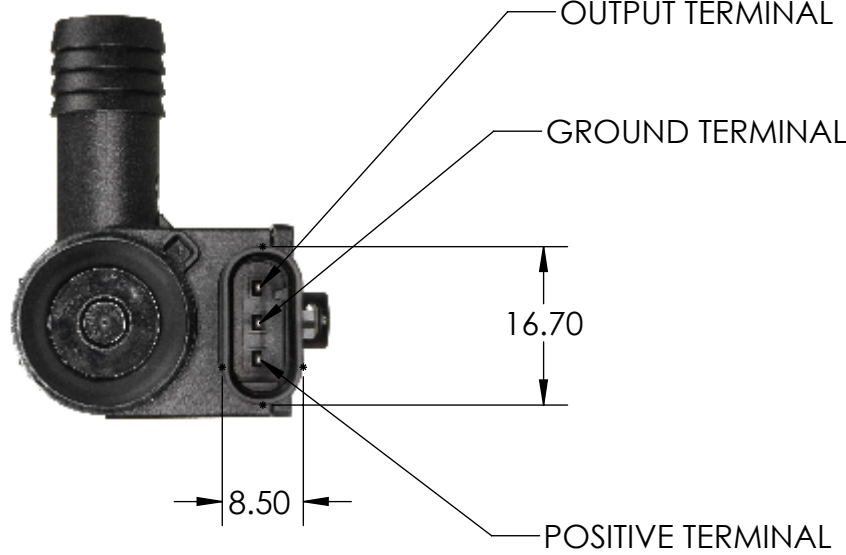


12.00



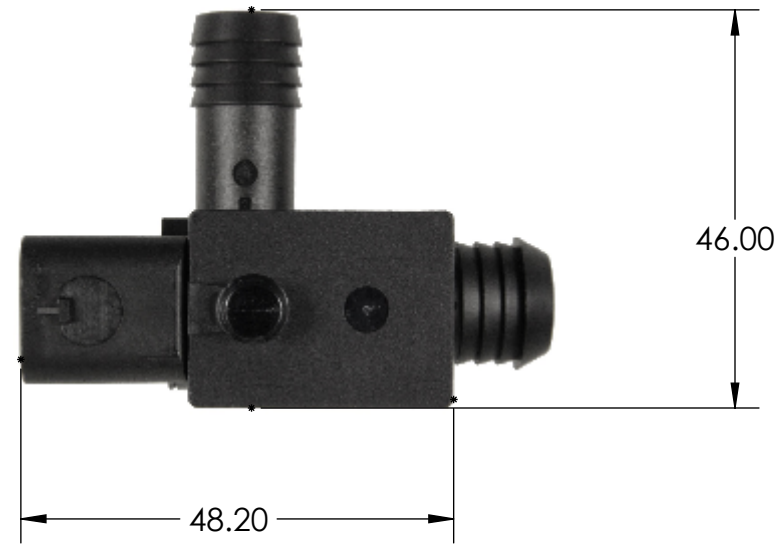
OUTPUT TERMINAL

GROUND TERMINAL

16.70

8.50

POSITIVE TERMINAL



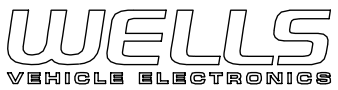
48.20

46.00

REPLACES OE#13582517

ALL DIMENSIONS REFERENCE ONLY

METRIC

				UNSPECIFIED TOLERANCES ANGLES ± 1° INCHES .XX ± .015" .XXX ± .005" MILLIMETERS .X ± .3mm .XX ± .12mm	DATE 09-16-14	DRAWNAPS	 FOND DU LAC, WISCONSIN
					SCALE 1:1	SHEET 1 OF 1	
-	RELEASED	38604	09-16-14		APS	ENGINEER	APPROVED
	REVISION	CN	DATE	BY	PURCH. <input type="checkbox"/>	PROD. <input type="checkbox"/>	FINISH
							PART NO. A SU15267