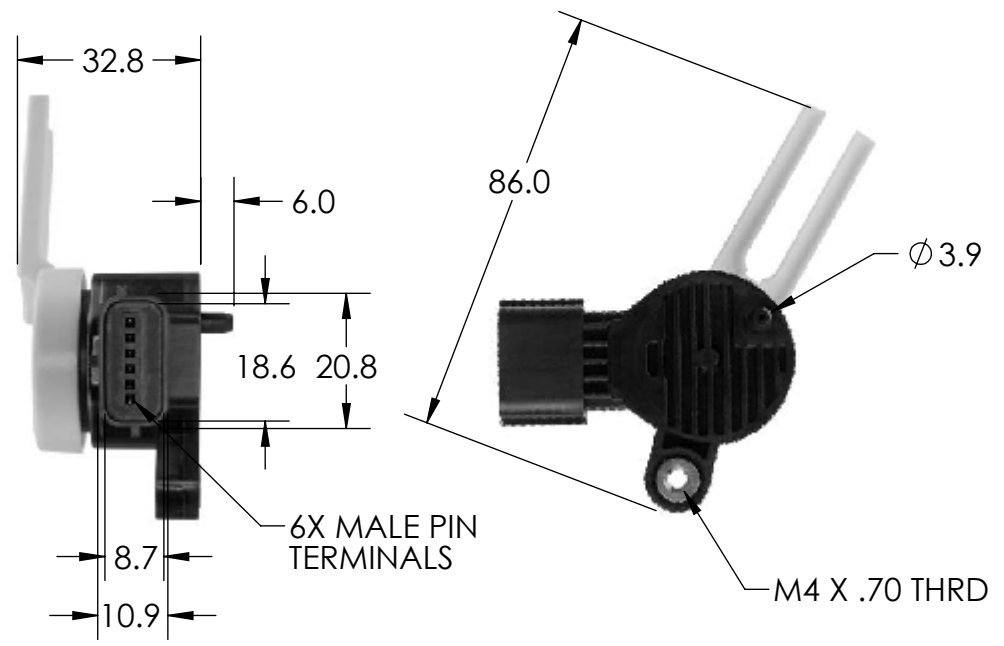
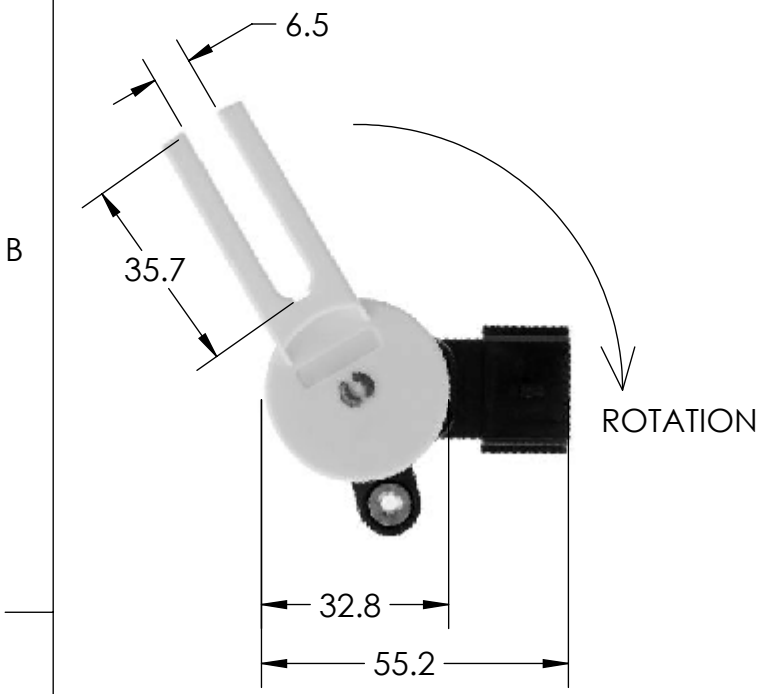


2

1

REVISION				
REV.	DESCRIPTION	ECN	DATE	BY
-	RELEASED	42361	5-2-17	SAM



A

KEY CHARACTERISTIC		◇KPC/KCC 0 TOTAL 0 LAST NO. USED		○SC 0 TOTAL 0 LAST NO. USED				
DATE	5/2/2017	SCALE	NTS	DRAWN BY	 FOND DU LAC, WISCONSIN			
MATERIAL				SAM ENGINEER RLT				
FINISH		TITLE BRAKE PEDAL POSITION SENSOR						
UNLESS OTHERWISE SPECIFIED DIM ARE IN MILLIMETERS ANGLE ±1° .X±0.3 .XX±0.13 GD&T ASME Y14.5-2009		 THIRD ANGLE		TYPE	SIZE	SHEET	PART NO.	REV
					A	1 OF 1	SU15195	-
				MODEL	N/A			

NOTE:
1. ALL DIMENSIONS ARE REFERENCE.

REPLACES OE# 13583369