

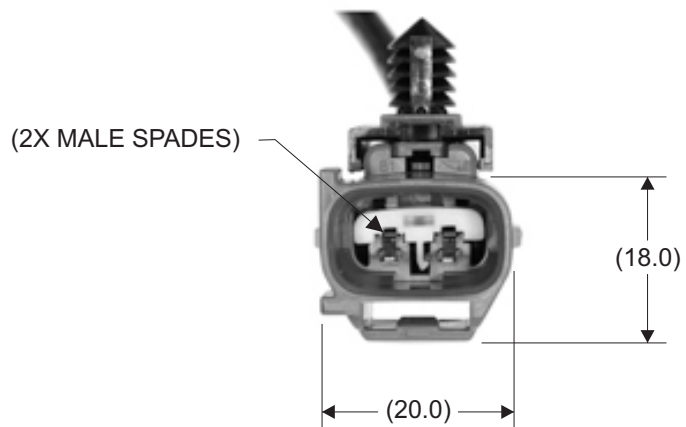
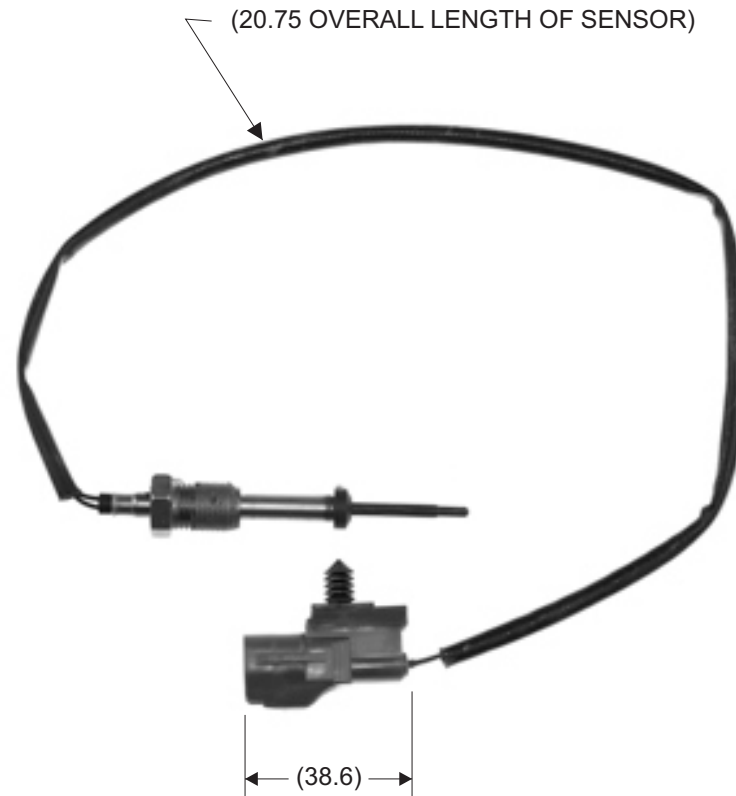
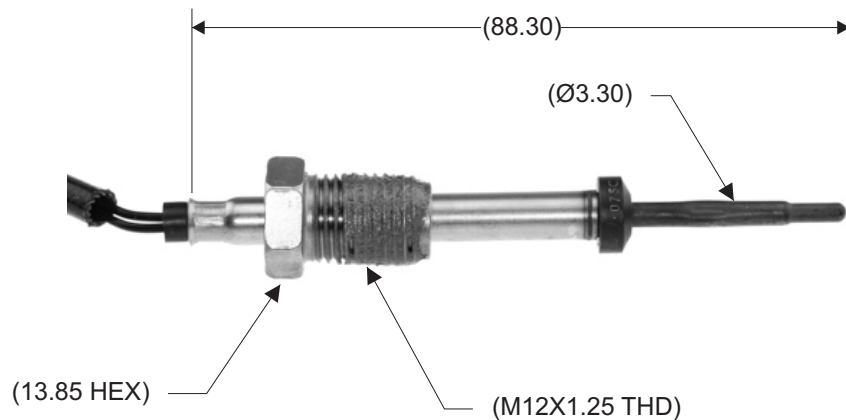
PART NO. SU14680

TOLERANCES UNLESS SPECIFIED


TWO PLACE DECIMALS +/- .015

THREE PLACE DECIMALS +/- .005

ANGLES +/- 1°



REPLACES O.E. # 12636966

					MATERIAL	N/A	SCALE	NTS				
					FINISH	N/A	DATE	9-25-13		DWN. BY	GAH	
							ENGINEER	9-25-13		DBP		
							APPROVED	9-25-13		TDS		
	RELEASE DRAWING	37098	9-23-13	GAH			PURCH.	<input type="checkbox"/>	PROD.	<input type="checkbox"/>	TITLE	EGR VLV TEMP SENSOR
L	REVISION	CN	DATE	BY	CAD REF.	N/A	MODEL				PART NO.	SU14680

Looking for dependable replacement emission control parts? Rely on WVE for quality and long-lasting products.