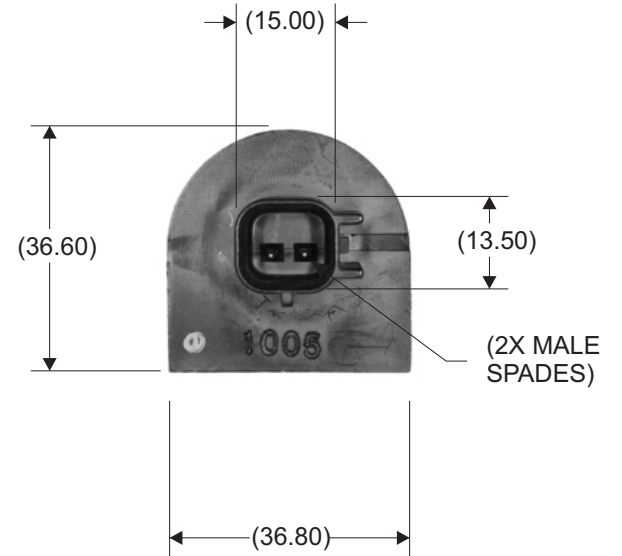
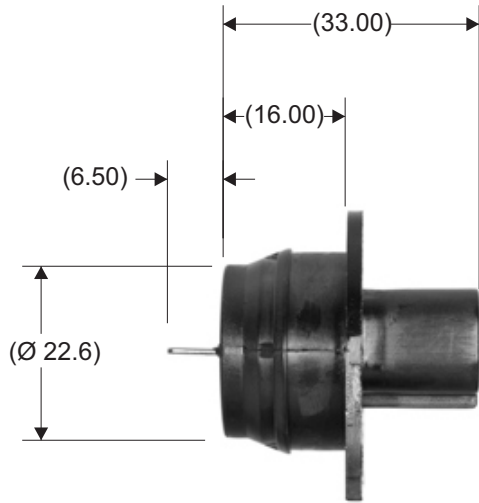
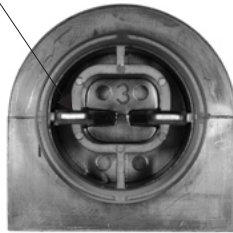


PART NO. SU14167


TOLERANCES UNLESS SPECIFIED
 TWO PLACE DECIMALS +/- .015 THREE PLACE DECIMALS +/- .005 ANGLES +/- 1°



(2X MALE SPADES)



REPLACES O.E. # 5152029AB

					MATERIAL	N/A	SCALE	NTS	 WELLS VEHICLE ELECTRONICS TITLE W WASHER RESERVOIR SENSOR PART NO. SU14167	
					FINISH	N/A	DATE	9-24-13		
							ENGINEER	9-24-13		
							APPROVED	9-24-13		
	RELEASE DRAWING	37098	9-23-13	GAH			PURCH.	<input type="checkbox"/>	PROD.	<input type="checkbox"/>
L	REVISION	CN	DATE	BY	CAD REF.	N/A	MODEL			

Shop for quality WVE products on our website.

Learn more about wipers and washers we have.