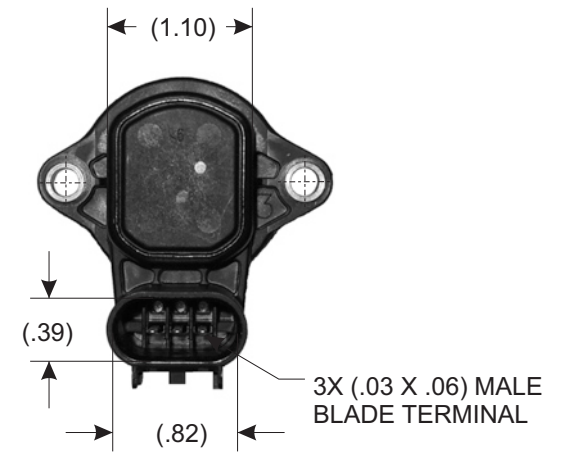
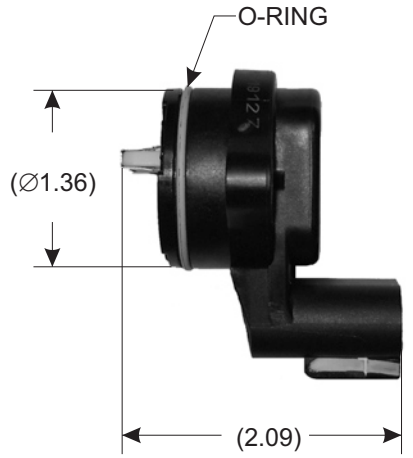
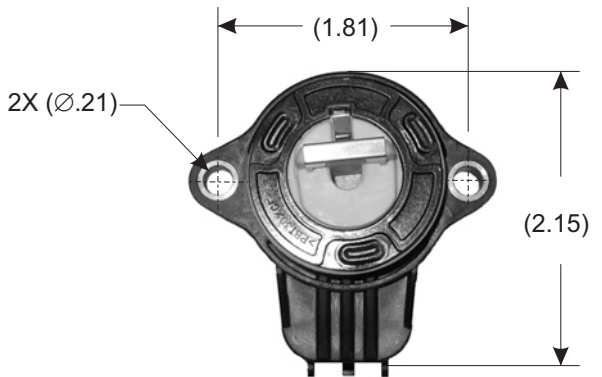
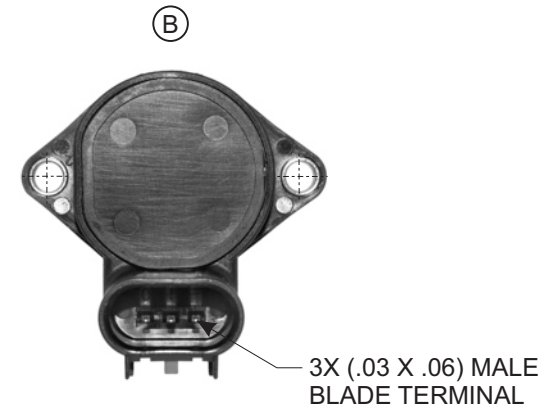
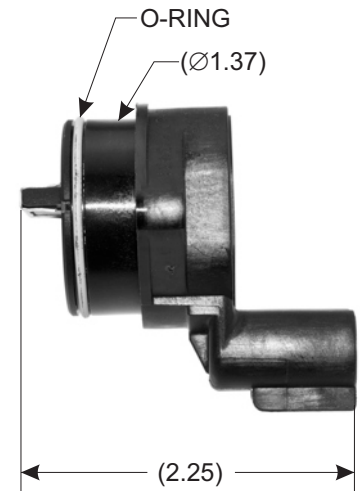
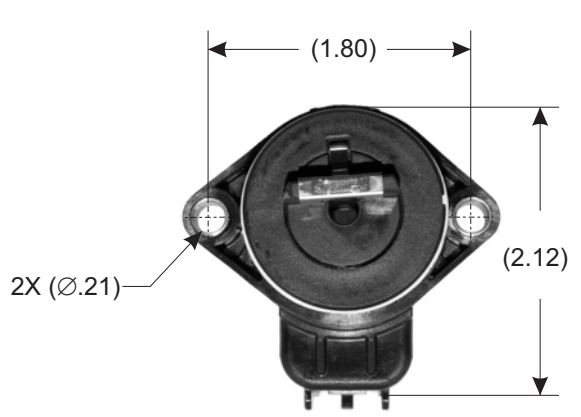


PART NO. SU13538


TOLERANCES UNLESS SPECIFIED
 TWO PLACE DECIMALS +/- .015 THREE PLACE DECIMALS +/- .005 ANGLES +/- 1°



(A)

(B) ALTERNATE DESIGN

REPLACES O.E. # 19133159, 19302454

					MATERIAL	N/A	SCALE	NTS	 TITLE TRANSFER CASE POSITION SENSOR PART NO. SU13538
							DATE	05-03-07	
							ENGINEER	05-03-07	
							APPROVED	05-03-07	
							PURCH.	<input type="checkbox"/>	
B	ADDED ALTERNATE DESIGN VIEWS & FRONT VIEW	39580	5-26-15	SAM	FINISH	N/A	BY	KFJ	
A	ADDED OE# 19302454	38181	5-28-14	SAM				DAL	
	RELEASED DRAWING	30514A	5-03-07	KFJ			PROD.	<input type="checkbox"/>	
L	REVISION	CN	DATE	BY	CAD REF.	N/A	MODEL	SU13538	

Looking for dependable replacement driveline and axles? Rely on WVE for quality and long-lasting products.