

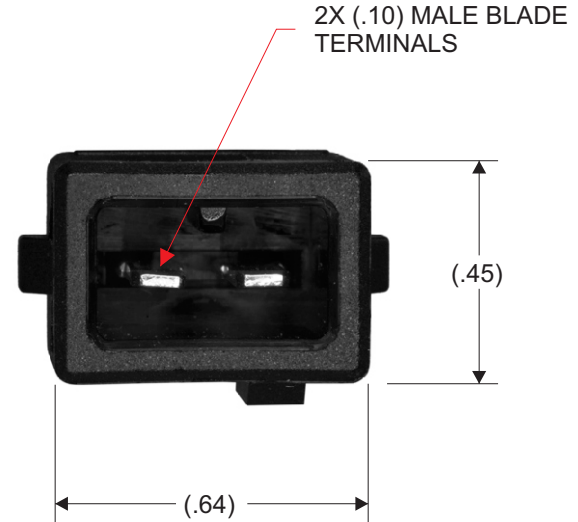
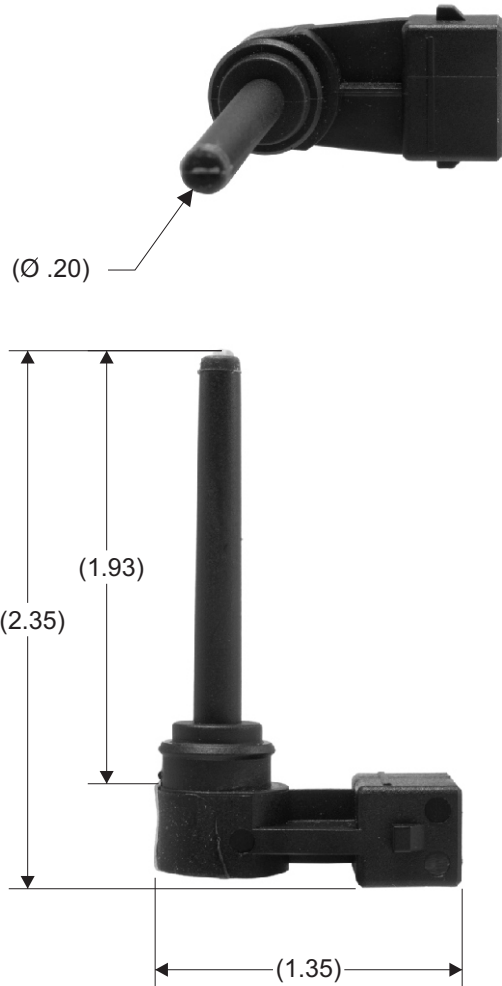
PART NO. SU13203

TOLERANCES UNLESS SPECIFIED

TWO PLACE DECIMALS +/- .015

THREE PLACE DECIMALS +/- .005

ANGLES +/- 1°



REPLACES OE# PCJ 500030

					MATERIAL	N/A	SCALE	NTS		WELLS MANUFACTURING L.P. FOND DU LAC, WISCONSIN	
					FINISH	N/A	DATE	2/2/11	DWN. BY DEK		
							ENGINEER	2/2/11	KRP	TITLE	
							APPROVED	2/2/11	TDS	COOLANT LEVEL SENSOR	
	RELEASED DRAWING	32989	2/2/11	DEK			PURCH.	<input type="checkbox"/>	PROD.	<input type="checkbox"/>	PART NO.
L	REVISION	CN	DATE	BY	CAD REF.	N/A	MODEL				SU13203

[View other replacement engine cooling parts made by WVE on our website.](#)