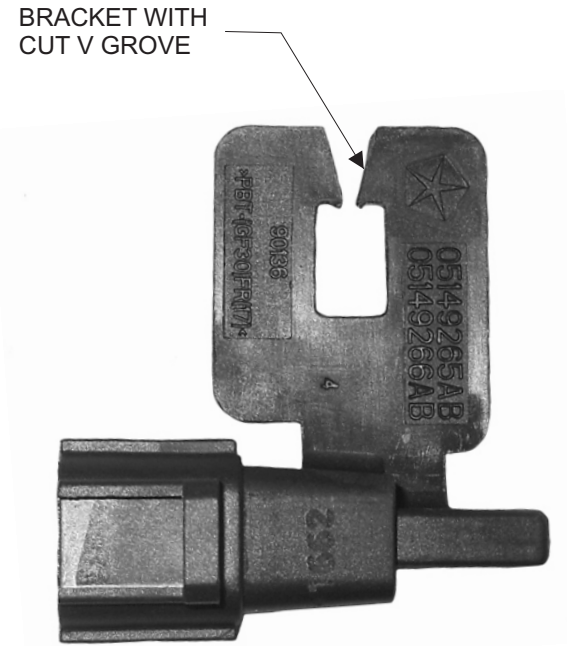
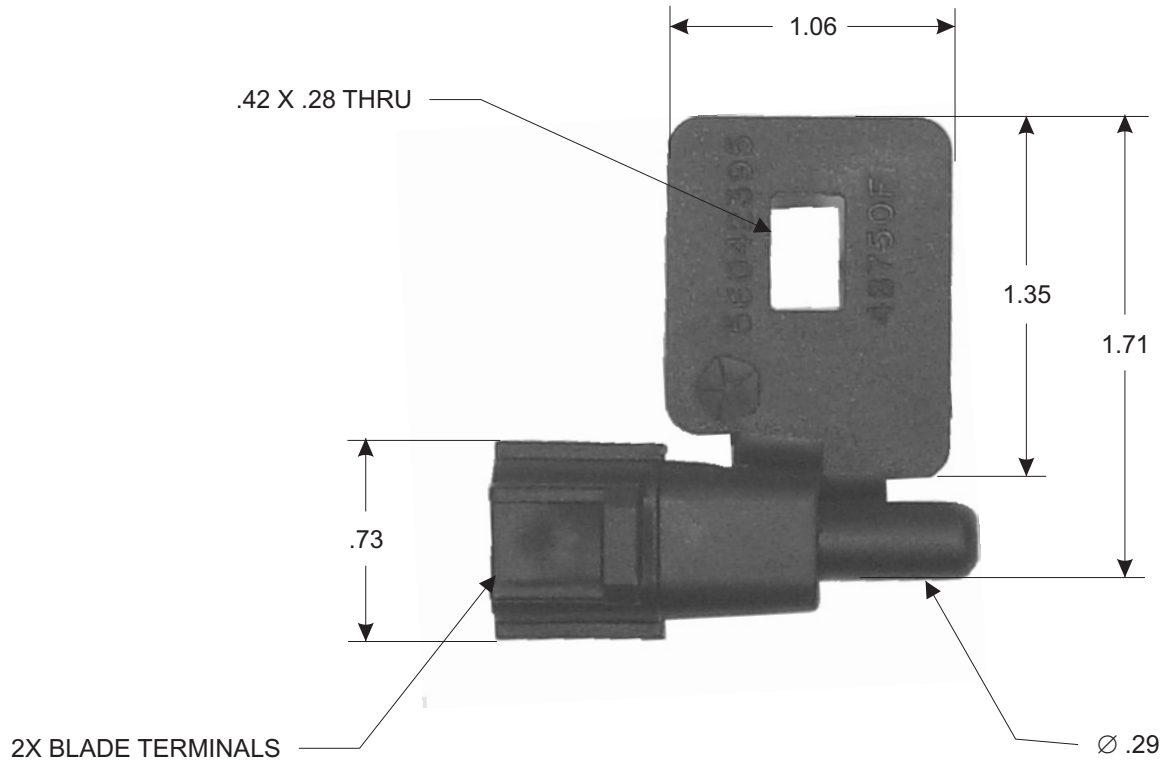


PART NO. SU3122

TOLERANCES UNLESS SPECIFIED		
TWO PLACE DECIMALS +/- .015	THREE PLACE DECIMALS +/- .005	ANGLES +/- 1°




NOTE: OPTIONAL VIEW WITH CUT V GROOVE.

(B)

(A)

REPLACES O.E. # 5149265AB

					MATERIAL	N/A	SCALE	NTS	 <p>TITLE AMBIENT AIR TEMP. SENSOR</p> <p>PART NO. SU3122</p>		
					FINISH	N/A	DATE	3-16-99		DWN. BY	GC
B	ADDED OPTIONAL PHOTO WITH CUT GROVE	35846	11-6-12	GC			ENGINEER	3-16-99		TWF	
A	WAS 5149025AA	35816	10-31-12	GC			APPROVED	3-16-99		JSK	
	RELEASE DRAWING	22073A	3-16-99	GC			PURCH.	<input type="checkbox"/>		PROD.	<input type="checkbox"/>
L	REVISION	CN	DATE	BY	CAD REF.	N/A	MODEL				

View other replacement A/C and heating parts made by WVE on our website.