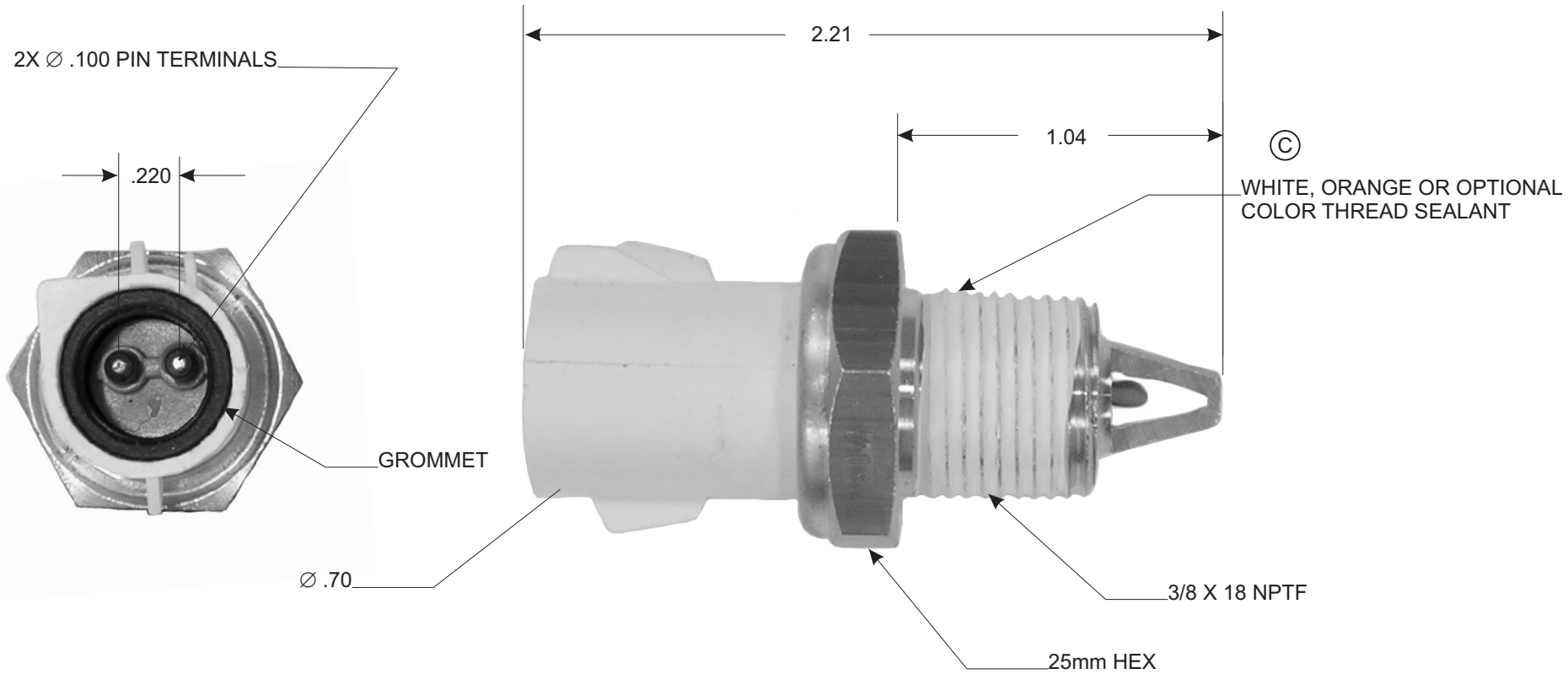


PART NO. **SU203**

TOLERANCES UNLESS SPECIFIED		
TWO PLACE DECIMALS +/- .015	THREE PLACE DECIMALS +/- .005	ANGLES +/- 1°



© **OPTIONAL CONSTRUCTION**

- NOTES**
- CHECK TERMINALS WITH OHM METER TO MAKE SURE THERMISTOR IS NOT SHORTED OUT.
 - TEMPERATURE @ 77°F±2°F (25°C±1°C). RESISTANCE TO BE 30,000 OHMS ± 3,000 OHMS.

					MATERIAL	N/A	SCALE	NTS				
					FINISH	N/A	DATE	7-9-04		DWN. BY	GC	
							ENGINEER	7-9-04		JDZ		
C	WAS WHITE THREAD SEALANT AND ADD OPTIONAL PICTURE	38776	10-22-14	GC			APPROVED	7-9-04	JSK	TITLE	TEMPERATURE SENSOR	
B	RE DRAWN,	27553A	7-9-04	GC			PURCH.	<input type="checkbox"/>	PROD.	<input type="checkbox"/>	PART NO.	SU203
L	REVISION	CN	DATE	BY	CAD REF.	N/A	MODEL					

View other replacement A/C and heating parts made by WVE on our website.