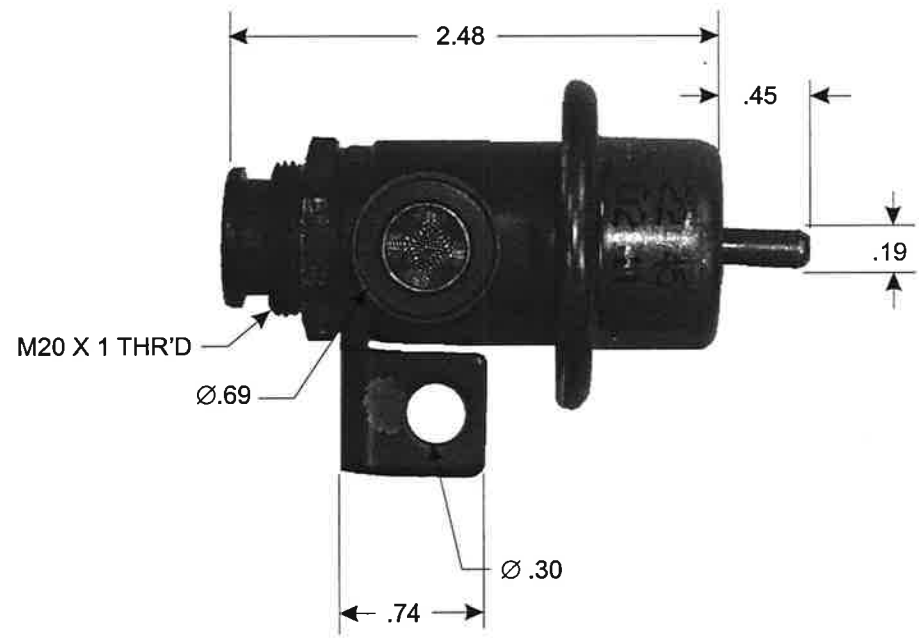
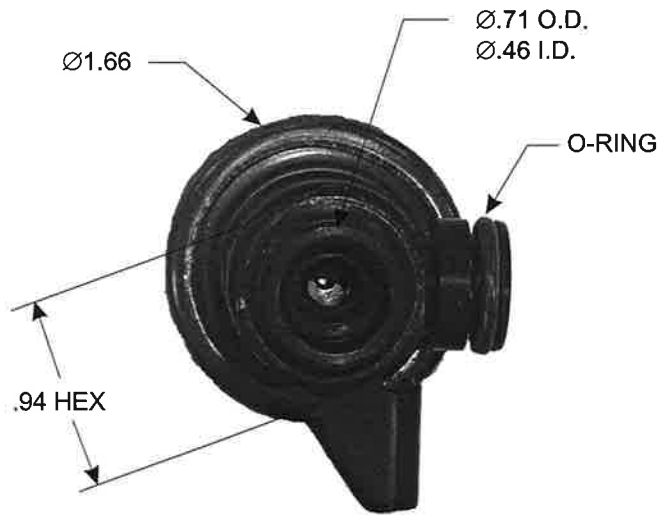



PART NO. PR153

TOLERANCES UNLESS SPECIFIED  
 TWO PLACE DECIMALS +/- .015      THREE PLACE DECIMALS +/- .005      ANGLES +/- 1°



REPLACES O.E.M. # 88894176, 217-1445

NOTE: OE. SUPPLIES O-RING PKG.

					MATERIAL	N/A	SCALE	NTS	 <b>TITLE</b> FUEL PRESSURE REGULATOR <b>PART NO.</b> PR153
							DATE	12-6-02	
							ENGINEER	12-6-02	
					FINISH	N/A	APPROVED	12-6-02	
							PURCH.	<input type="checkbox"/> PROD.	
RELEASED DRAWING	25984A	12-6-02	SAM		CAD REF.	N/A	MODEL	N/A	
L	REVISION	CN	DATE	BY					