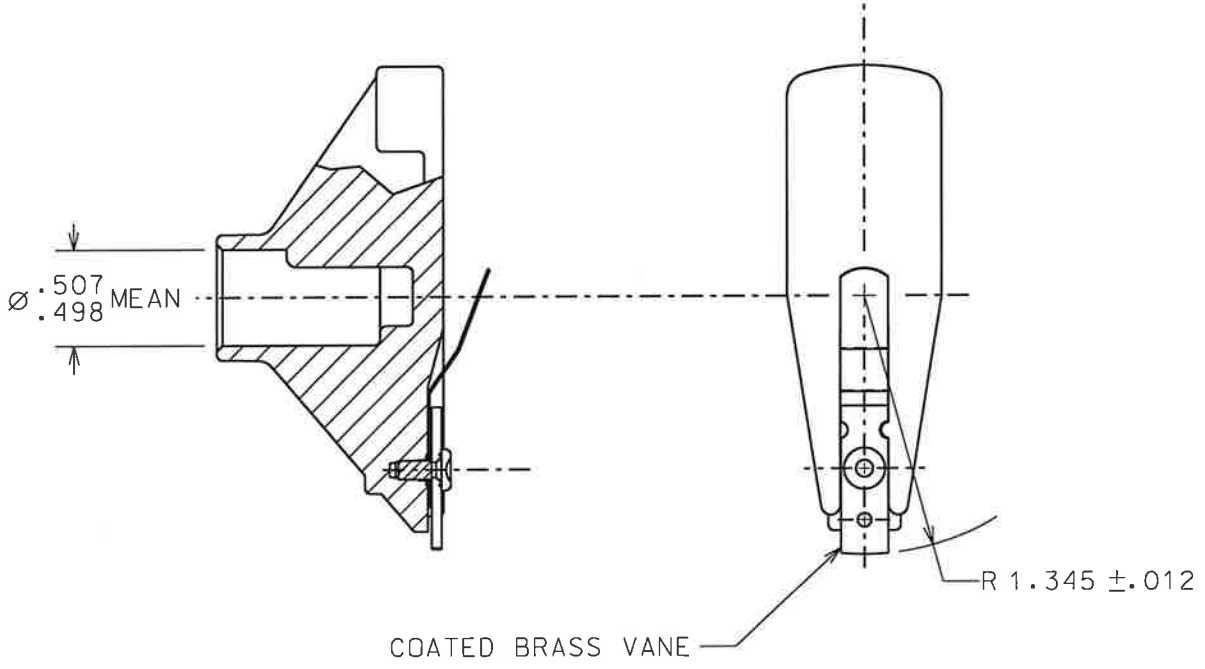


PART NO. F999G

TOLERANCES UNLESS SPECIFIED	
TWO PLACE DECIMALS +/- .015	THREE PLACE DECIMALS +/- .005
ANGLES +/- 1°	



REPLACES D.E.M. CHRYSLER #53008778

					MATERIAL RED POLYESTER	SCALE FULL	<b>WELLS</b> MANUFACTURING CORP. FOND DU LAC, WISCONSIN
					FINISH N/A	DATE 6-15-00 DWN. BY KLH	
						ENGINEER 6-15-00 PAH	TITLE ROTOR
						APPROVED 6-15-00 JSK	
RELEASED	23319	6-15-00	PAH			PURCH. <input type="checkbox"/> PROD. <input type="checkbox"/>	PART NO. F999G
L	REVISION	CN	DATE	BY	CAD REF. F999G	MODEL	