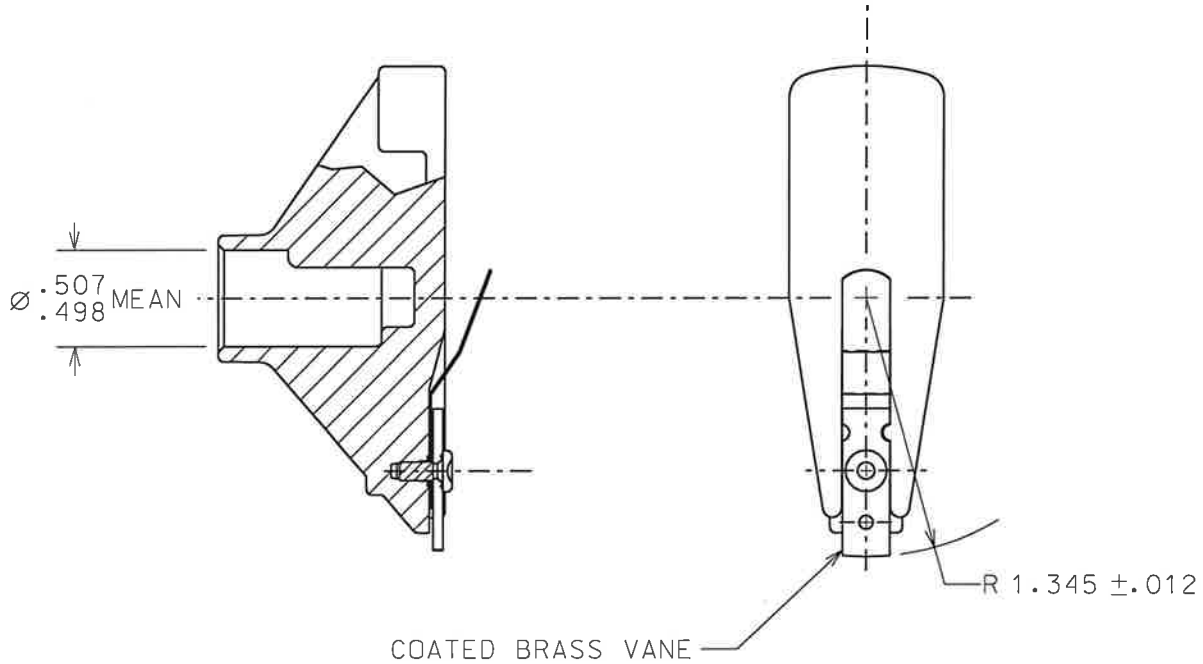


PART NO.
F999

TOLERANCES UNLESS SPECIFIED	
TWO PLACE DECIMALS +/- .015	THREE PLACE DECIMALS +/- .005
ANGLES +/- 1°	



REPLACES O.E.M. CHRYSLER #53008778

					MATERIAL BLACK POLYESTER	SCALE FULL	WELLS MFG. CORP. FOND DU LAC, WISCONSIN
					FINISH	DATE 12-19-96 DWN. BY CJM	
						ENGINEER 12-19-96 TWF	TITLE ROTOR
						APPROVED 12-19-96 JSK	PART NO. F999
A	REDRAWN	20435	12-19-96	CJM		PURCH. <input type="checkbox"/> PROD. <input type="checkbox"/>	
L	REVISION	CN	DATE	BY	CAD REF. F999	MODEL	