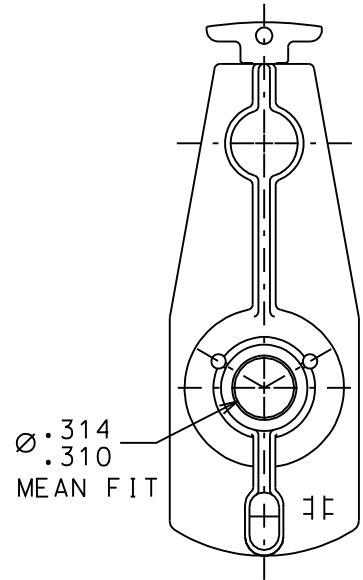
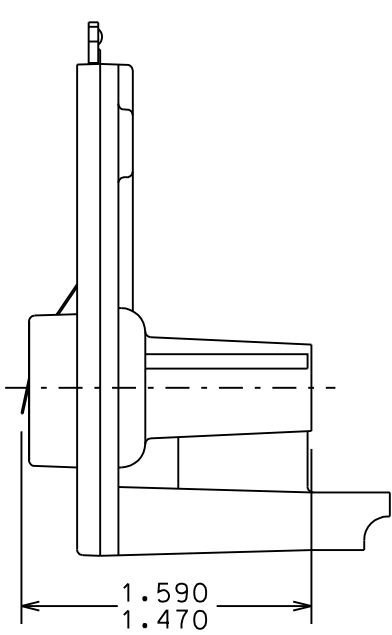
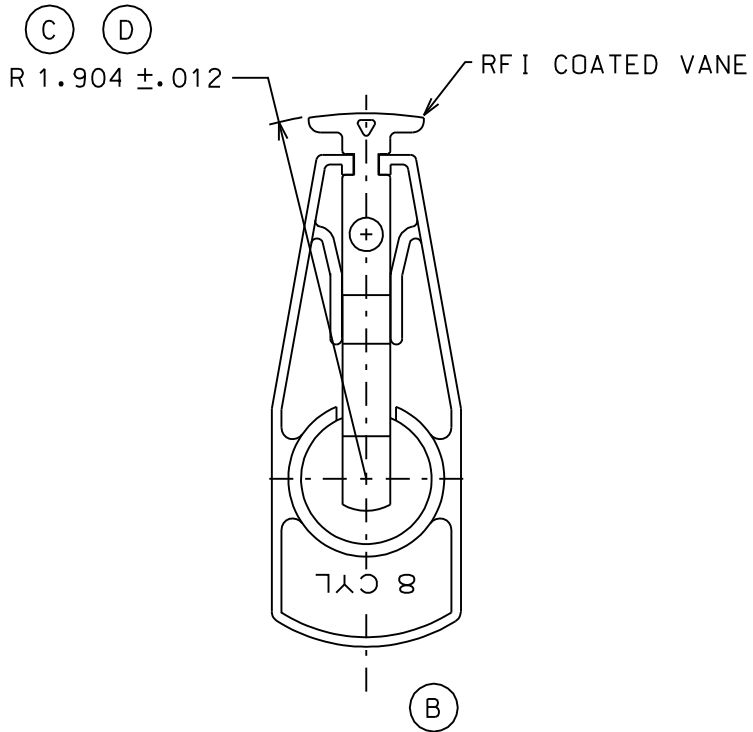


PART NO. F981

TOLERANCES	UNLESS	SPECIFIED
TWO PLACE DECIMALS +/- .015	THREE PLACE DECIMALS +/- .005	ANGLES +/- 1°



REPLACES: FORD #E5TZ-12200B, DR374A, E6TZ-12200F, DR374B

					MATERIAL GRAY POLYESTER	SCALE FULL	WELLS
D	REVISE VANE RADIUS	25472	06-21-02	KFJ	FINISH N/A (D)	DATE 3-25-91	
C	WAS R 1.913 ± .060	19371	8-30-95	JAC		ENGINEER 3-25-91	TWF
B	REVISED PART	17565D	1-12-93	MAS	APPROVED 3-25-91	BWS	PART NO. F981
A	REDRAWN	16659	3-25-91	BSR	PURCH. <input type="checkbox"/> PROD. <input type="checkbox"/>		
L	REVISION	CN	DATE	BY	CAD REF. F981	MODEL	