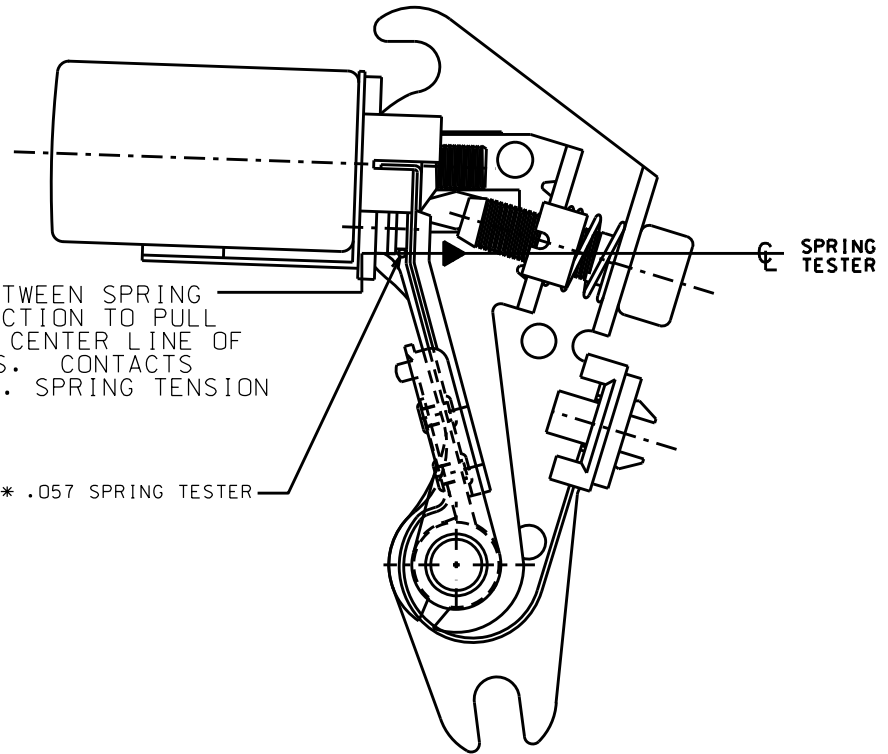


PLACE TERMINAL BETWEEN SPRING & INSULATOR. DIRECTION TO PULL TO BE PERALLEL WITH CENTER LINE OF TUNGSTEN CONTACTS. CONTACTS MUST BREAK @ 17-30 OZ. SPRING TENSION



NOTES:
1. CONDENSER ASS'Y. MUST WITHSTAND 20 IN. LB. MIN. TORQUE WITHOUT TURNING.

REPLACES OE# 876600, D1007

					PART NO. DR1080MV	TOLERANCES UNLESS SPECIFIED		SCALE	NTS	WELLS MANUFACTURING CORP. FOND DU LAC, WISCONSIN	
						MATERIAL	N/A	DATE	9/9/11		PURCH. <input type="checkbox"/> PROD. <input type="checkbox"/> MODEL
						FINISH	N/A	ENGINEER	DAL	9/9/11 PH	SUBJECT N/A
						CAD REF.	N/A	APPROVED	9/9/11 TDS		TITLE
C	REDRAWN	33512A	9/9/11	DAL				SHEET	1 OF 1		CONTACT-CONDENSER ASSEMBLY
L	REVISION	CH	DATE	BY						PART NO. DR1080MV	