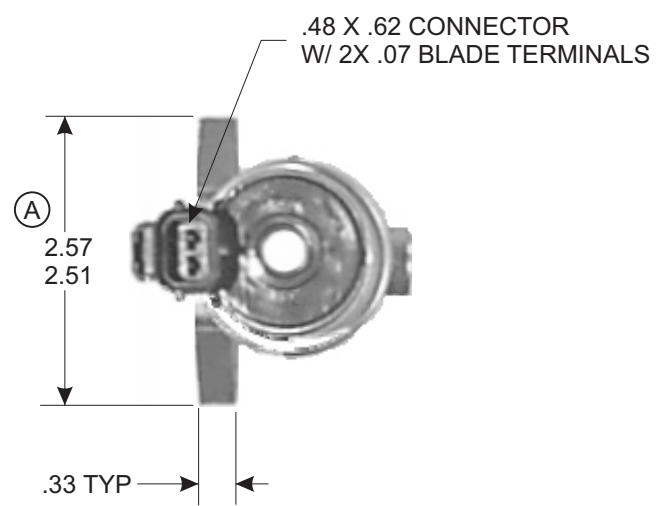
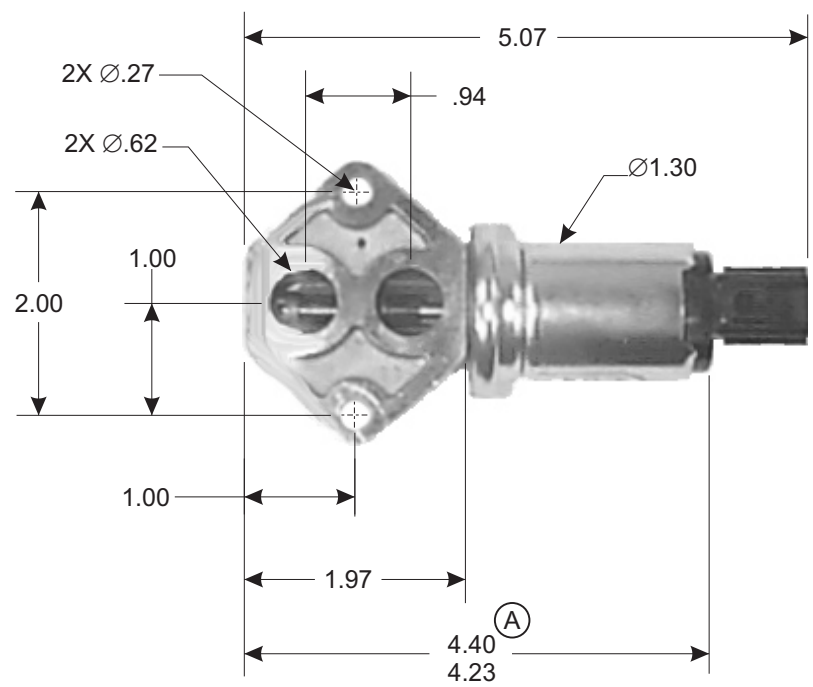


PART NO. TV238

TOLERANCES UNLESS SPECIFIED		
TWO PLACE DECIMALS +/- .015	THREE PLACE DECIMALS +/- .005	ANGLES +/- 1°



REPLACES O.E.M. # F75E-9F715-AA, F75Z-9F715-AA

					MATERIAL	SCALE	NTS	<b>WELLS</b> VEHICLE ELECTRONICS		
						DATE	7-7-98		DWN. BY	SAM
					FINISH	ENGINEER	7-7-98	DAL	TITLE	THROTTLE AIR BY-PASS VALVE
A	CHANGED DIMENSIONS	39461	4/21/15	DEK		APPROVED	7-7-98	JSK	PART NO.	TV238
	RELEASED DRAWING	21482A	7-7-98	SAM		PURCH.	<input type="checkbox"/>	PROD.	<input type="checkbox"/>	
L	REVISION	CN	DATE	BY	CAD REF.	MODEL				
					8KW00027					