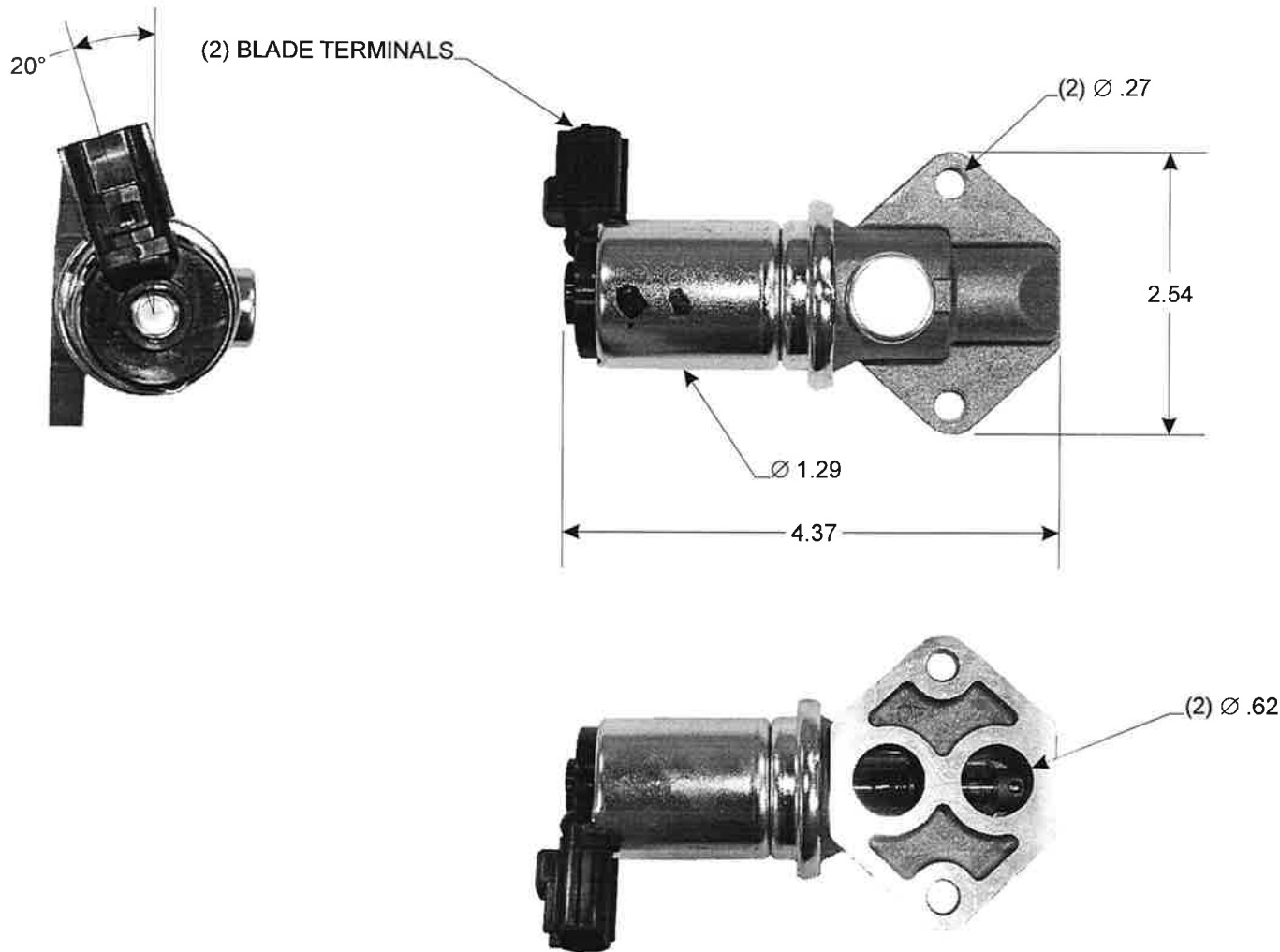


PART NO. **TV279**

TOLERANCES UNLESS SPECIFIED		
TWO PLACE DECIMALS +/- .015	THREE PLACE DECIMALS +/- .005	ANGLES +/- 1°



REPLACES OE # CX-1707, X52Z-9F915-BA, GY01-20-660 ^(A)

				MATERIAL	N/A	SCALE	NTS	WELLS MANUFACTURING CORP. FOND DU LAC, WISCONSIN			
						DATE	1-16-01		DWN. BY	DAB	
A	ADD O.E. #	24433AA	8-1-01	GC	FINISH	N/A	ENGINEER	1-16-01	DL	TITLE	THROTTLE AIR BY PASS VALVE
	RELEASED DRAWING	23906A	1-16-01	DAB			APPROVED	1-16-01	JSK	PART NO.	TV279
L	REVISION	CN	DATE	BY	CAD REF.	TV279	PURCH.	<input type="checkbox"/>	PROD.	<input type="checkbox"/>	
							MODEL	N/A			