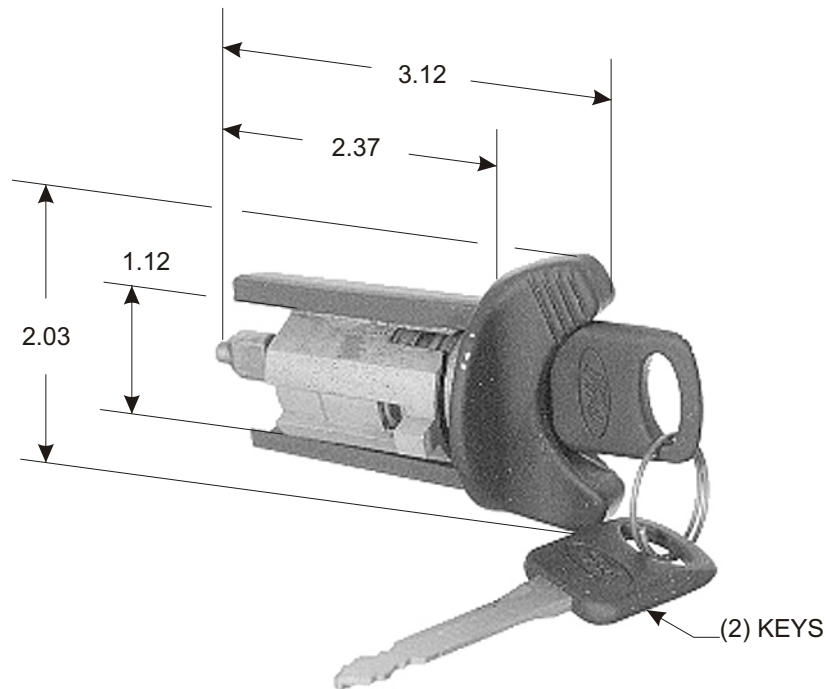


PART NO. LS742C

TOLERANCES UNLESS SPECIFIED		
TWO PLACE DECIMALS +/- .015	THREE PLACE DECIMALS +/- .005	ANGLES +/- 1°



ⓑ

REPLACES O.E.M. # F3DZ-11582-A, SW2411, SW2396, F3LY-11582-A, SW2416, LS1159C

Ⓐ

OPTIONAL WHEN SUPPLIED W/OE
INCLUDES INSTRUCTION SHEET

					MATERIAL	N/A	SCALE	NTS	WELLS		
					FINISH	N/A	DATE	12-3-97		DWN. BY	DPH
B	ADDED OE#S F3LY-11582-A, SW2416, LS1159C	32395	7-6-09	SAM			ENGINEER	12-3-97	DAL	TITLE	IGNITION LOCK WITH KEYS
A	ADDED OPT.	23978	2-7-01	DAB			APPROVED	12-3-97	JSK	PART NO.	LS742C
	RELEASED	20932	8-4-97	DPH			PURCH.	<input type="checkbox"/>	PROD.	<input type="checkbox"/>	
L	REVISION	CN	DATE	BY	CAD REF.	LS742C	MODEL				