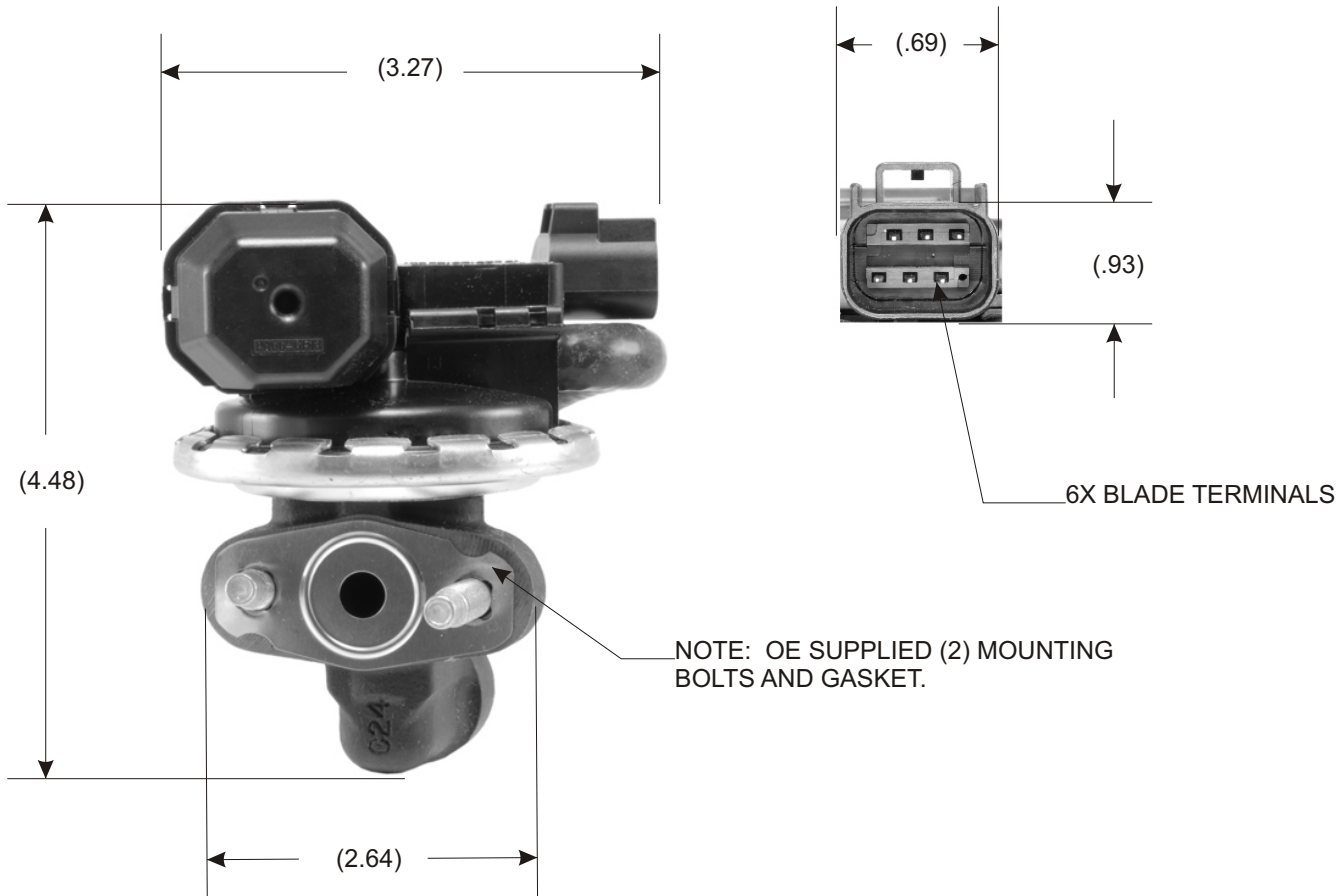


PART NO. EGR4433

| TOLERANCES UNLESS SPECIFIED |                               |               |
|-----------------------------|-------------------------------|---------------|
| TWO PLACE DECIMALS +/- .015 | THREE PLACE DECIMALS +/- .005 | ANGLES +/- 1° |



REPLACES # 5F2Z-9D475-A, CX-2061

|   |                  |        |         |    |          |     |          |                          |       |                          |          |                    |
|---|------------------|--------|---------|----|----------|-----|----------|--------------------------|-------|--------------------------|----------|--------------------|
|   |                  |        |         |    | MATERIAL | N/A | SCALE    | NTS                      |       |                          |          |                    |
|   |                  |        |         |    | FINISH   | N/A | DATE     | 2-10-09                  |       | DWN. BY                  | GC       |                    |
|   |                  |        |         |    |          |     | ENGINEER | 2-10-09                  |       | DAL                      |          |                    |
|   |                  |        |         |    |          |     | APPROVED | 2-10-09                  |       | JSK                      |          |                    |
|   | RELEASED DRAWING | 30918A | 2-10-09 | GC |          |     | PURCH.   | <input type="checkbox"/> | PROD. | <input type="checkbox"/> | TITLE    | EGR VALVE ASSEMBLY |
| L | REVISION         | CN     | DATE    | BY | CAD REF. | N/A | MODEL    |                          |       |                          | PART NO. | EGR4433            |

Looking for dependable replacement emission control parts? Rely on WVE for quality and long-lasting products.