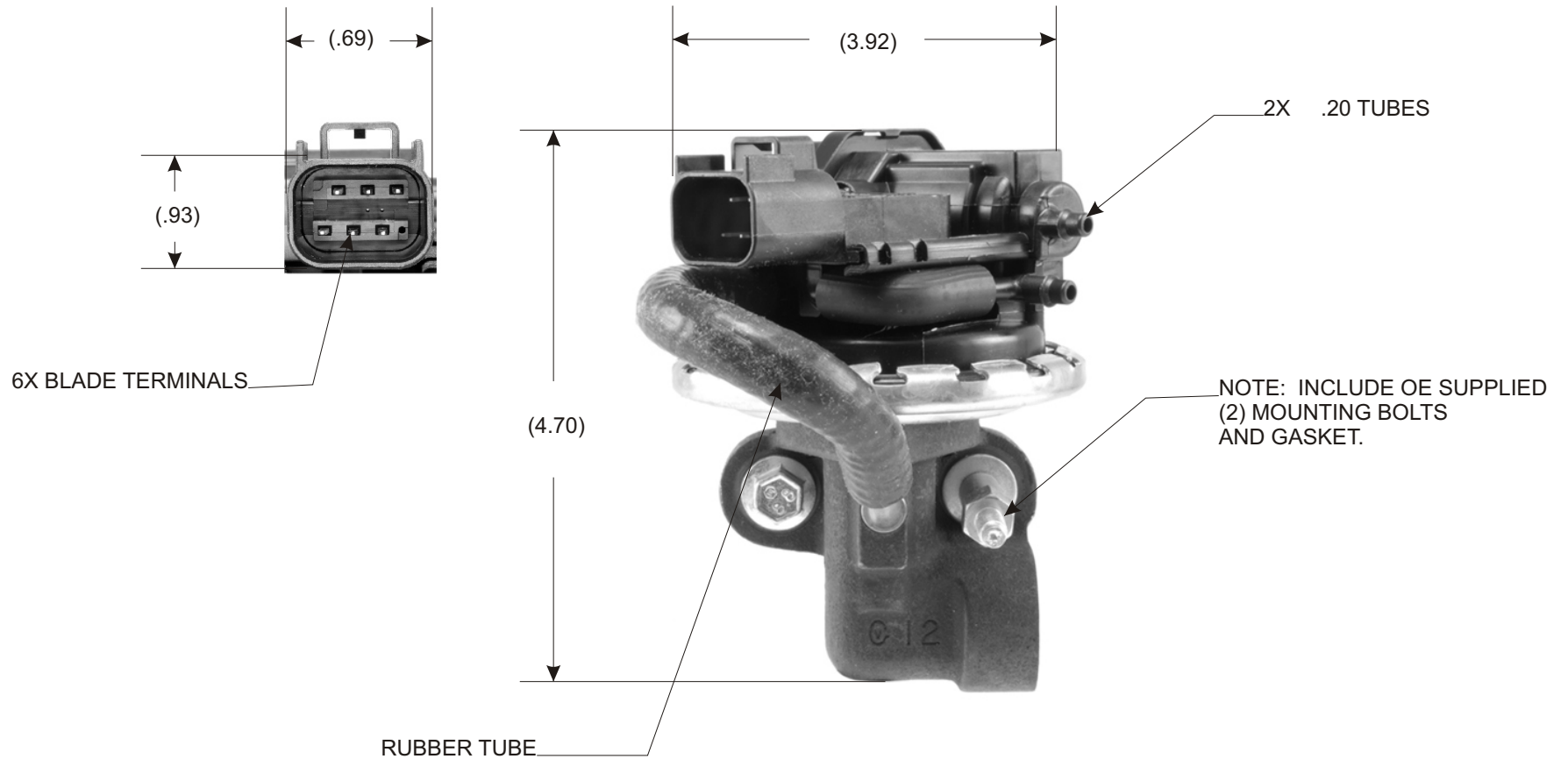


PART NO. EGR4423

TOLERANCES UNLESS SPECIFIED
 TWO PLACE DECIMALS +/- .015 THREE PLACE DECIMALS +/- .005 ANGLES +/- 1°



REPLACES # 5L3E-9Y456-BA, CX2064

					MATERIAL	N/A	SCALE	NTS				
					FINISH	N/A	DATE	2-10-09		DWN. BY	GC	
							ENGINEER	2-10-09			DAL	
							APPROVED	2-10-09			JSK	
	RELEASED DRAWING	30918A	2-10-09	GC			PURCH.	<input type="checkbox"/>	PROD.	<input type="checkbox"/>	TITLE	EGR VALVE ASSEMBLY
L	REVISION	CN	DATE	BY	CAD REF.	N/A	MODEL				PART NO.	EGR4423

Looking for dependable replacement emission control parts? Rely on WVE for quality and long-lasting products.