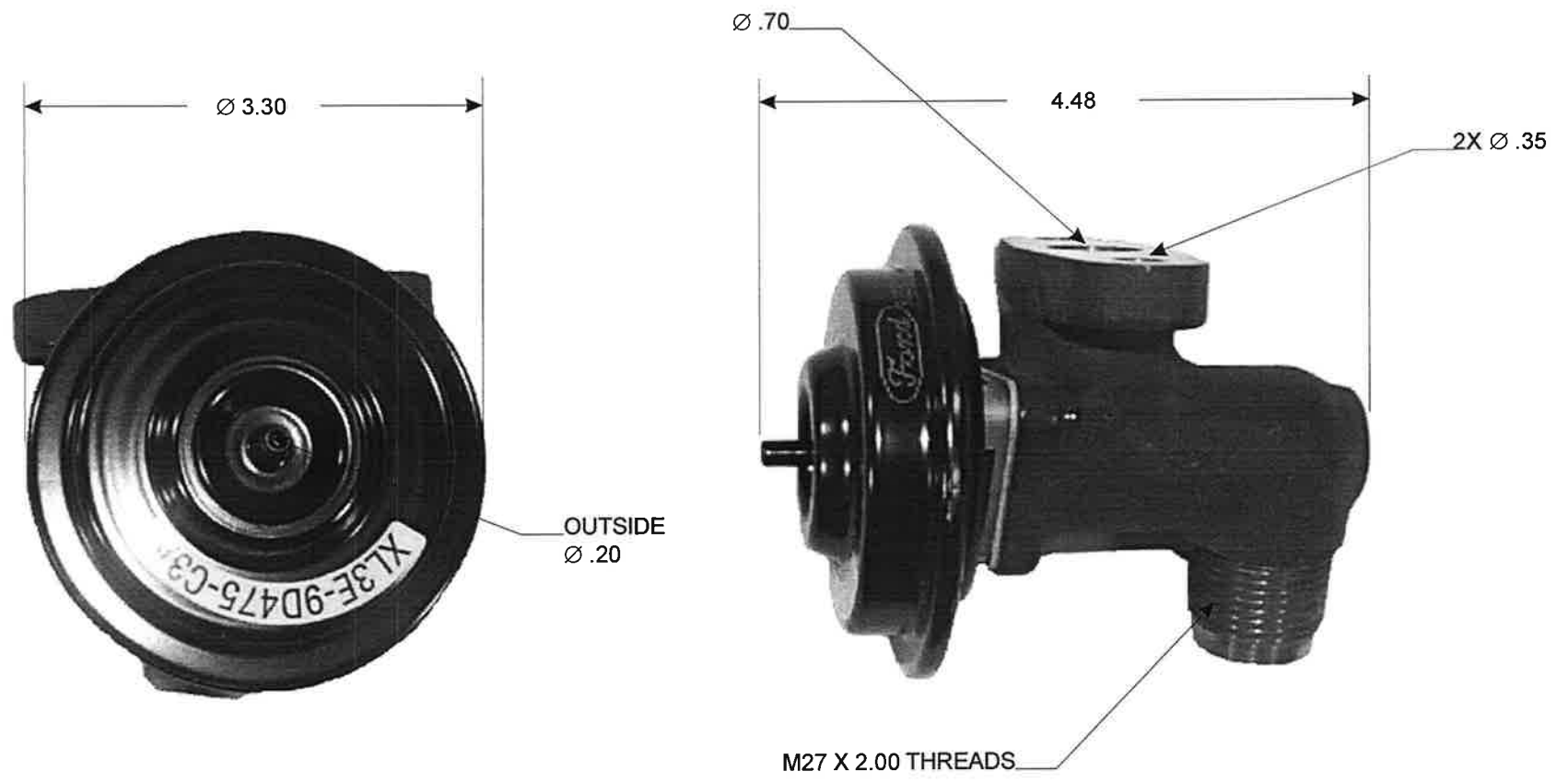


PART NO. **EGR2006**

TOLERANCES UNLESS SPECIFIED
 TWO PLACE DECIMALS +/- .015 THREE PLACE DECIMALS +/- .005 ANGLES +/- 1°



REPLACES O.E.M. # CX-1594, F75Z-9D475-C4A, CX-1721, XL32-9D475-CA ^(A)

					MATERIAL	SCALE	NTS	WELLS MANUFACTURING CORP. FOND DU LAC, WISCONSIN	
						DATE	8-19-98		DWN. BY
					FINISH	ENGINEER	8-19-98	JS	TITLE
A	REDRAWN	23003	1-21-00	GC		APPROVED	8-19-98	JSK	EGR VALVE
	RELEASED DRAWING	21510A	5-7-98	DPH		PURCH.	<input type="checkbox"/>	PROD.	<input type="checkbox"/>
L	REVISION	CN	DATE	BY	CAD REF.	EGR2006	MODEL		PART NO.
									EGR2006

Looking for dependable replacement emission control parts? Rely on WVE for quality and long-lasting products.