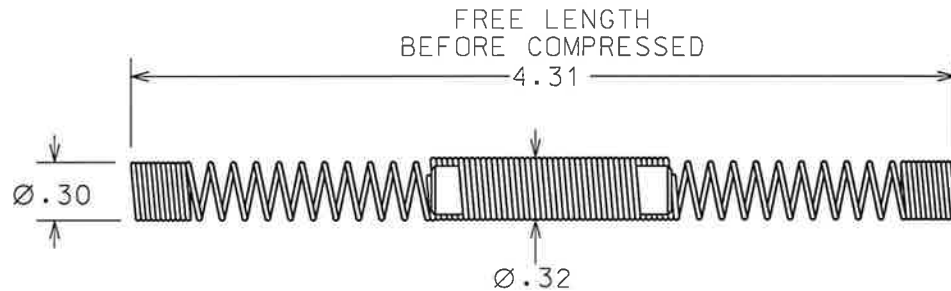
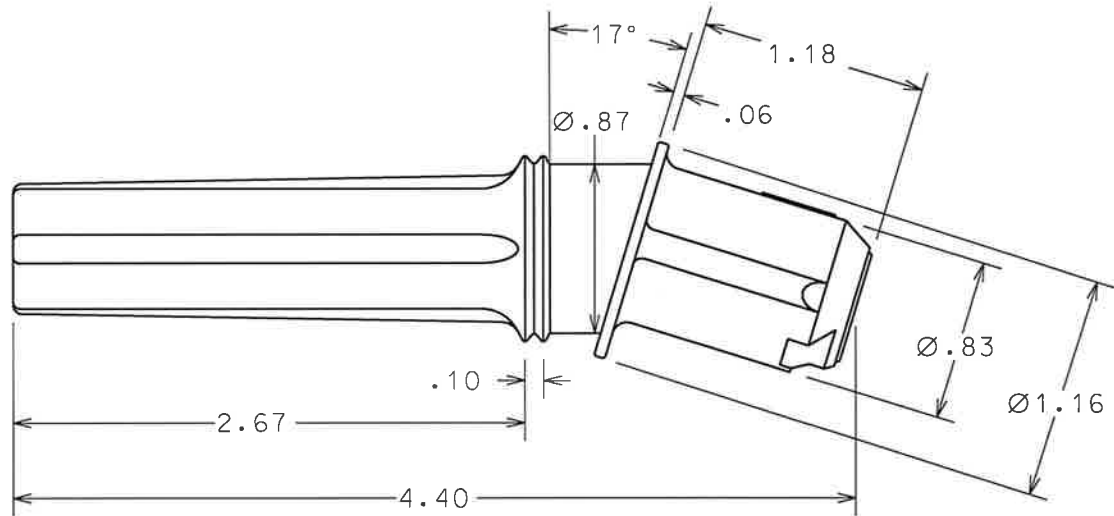
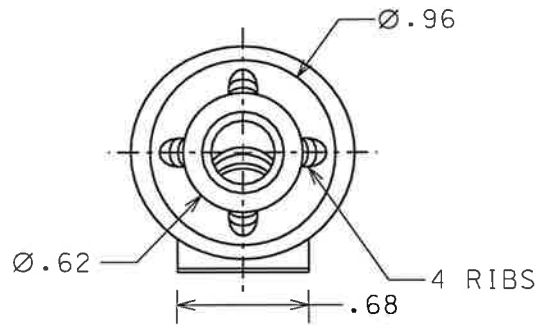


PART NO. CC6

TOLERANCES UNLESS SPECIFIED		
TWO PLACE DECIMALS +/- .015	THREE PLACE DECIMALS +/- .005	ANGLES +/- 1°



NOTE: A PACKET OF SILICONE DIELECTRIC GREASE IS INCLUDED.

				MATERIAL	N/A	SCALE	FULL	<b>WELLS</b> MANUFACTURING CORP. FOND DU LAC, WISCONSIN		
						DATE	6-4-04		DWN. BY	SAM
				FINISH	N/A	ENGINEER	6-4-04			JB
						APPROVED	6-4-04			JSK
RELEASED		27307A	6-4-04	SAM		PURCH.	<input type="checkbox"/>	PROD.	<input type="checkbox"/>	
L	REVISION	CN	DATE	BY	CAD REF.	MODEL	N/A	TITLE	COIL CONNECTORS	
								PART NO.	CC6	