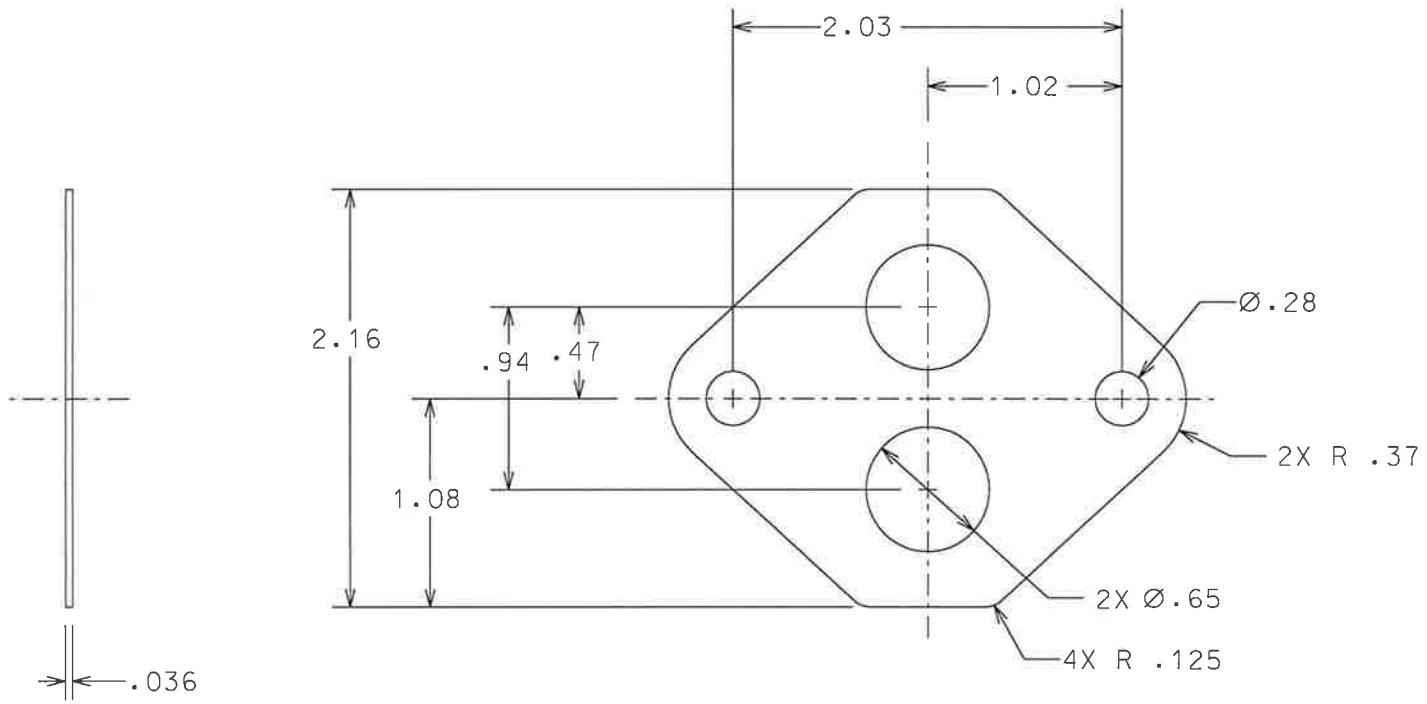


PART NO. TVG200

TOLERANCES UNLESS SPECIFIED	
TWO PLACE DECIMALS +/- .015	THREE PLACE DECIMALS +/- .005
ANGLES +/- 1°	



(A)

REPLACES OE # F85Z-9F670-AA, F2CZ-9F670-A, E83Z-9F670-A,  
 E7SZ-9F670-A, F5RZ-9F670-B, E7TZ-9F670-A,  
 F7CZ-9F670-AA, E3FZ-9F670-A

(A)

					MATERIAL BLACK RUBBERIZED PAPER	SCALE FULL	<b>WELLS</b> MANUFACTURING CORP. FOND DU LAC, WISCONSIN
						DATE 1-10-97 DWN. BY KFJ	
					FINISH N/A	ENGINEER 1-10-97 DAL	TITLE TV GASKET
A	ADDED OE #S & REMOVED NOTE	28199	12-22-04	KLH		APPROVED 1-10-97 JSK	PART NO. TVG200
	RELEASED	20471	1-10-97	KFJ		PURCH. <input type="checkbox"/> PROD. <input type="checkbox"/>	
L	REVISION	CN	DATE	BY	CAD REF. TVG200	MODEL	

[View other replacement fuel system parts made by WVE on our website.](#)