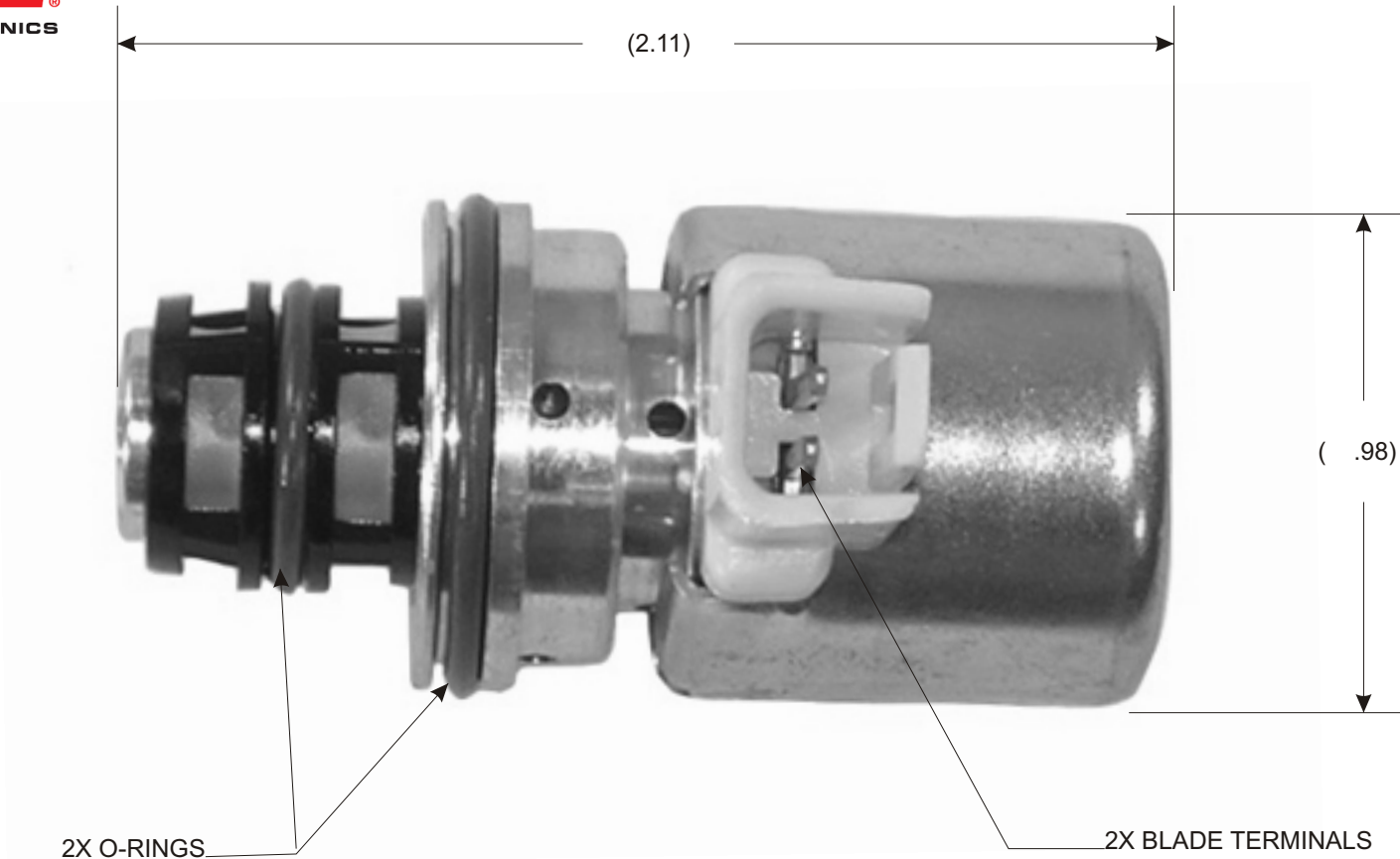


PART NO. TCS75

TOLERANCES UNLESS SPECIFIED		
TWO PLACE DECIMALS +/- .015	THREE PLACE DECIMALS +/- .005	ANGLES +/- 1°



REPLACES # 4617210

					MATERIAL	N/A	SCALE	NTS				
					FINISH	N/A	DATE	12-19-07		DWN. BY	GC	
							ENGINEER	12-19-07			DAL	
							APPROVED	12-19-07			JSK	
	RELEASED DRAWING	30587A	12-19-07	GC			PURCH.	<input type="checkbox"/>	PROD.	<input type="checkbox"/>	TITLE	TRANSMISSION CONTROL SOLENOID
L	REVISION	CN	DATE	BY	CAD REF.	N/A	MODEL				PART NO.	TCS75