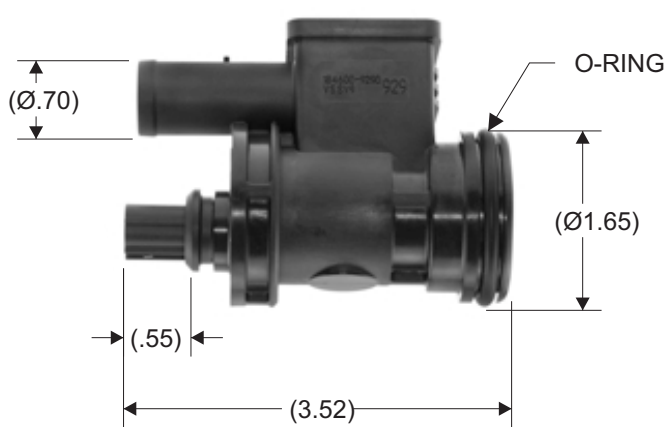
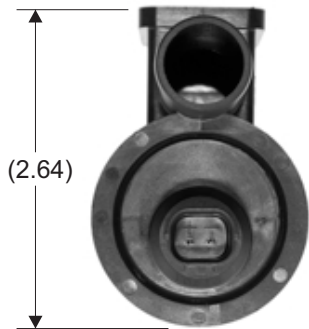
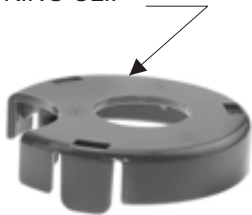


PART NO. PV597

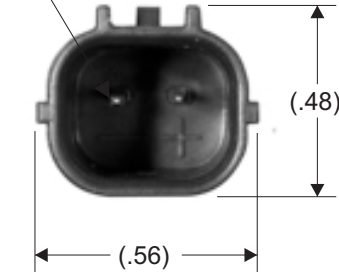
TOLERANCES UNLESS SPECIFIED		
TWO PLACE DECIMALS +/- .015	THREE PLACE DECIMALS +/- .005	ANGLES +/- 1°




PLASTIC LOCKING CLIP INCLUDED



2X (.04) MALE SPADE TERMINALS



REPLACES OE #: 17311-SDC-L02

					MATERIAL		SCALE	NTS				
					N/A		DATE	7/12/12		DWN. BY	DEK	
					FINISH		ENGINEER	7/12/12			KRP	
					N/A		APPROVED	7/12/12			TDS	
	RELEASE DRAWING	35377	7/12/12	DEK			PURCH.	<input type="checkbox"/>	PROD.	<input type="checkbox"/>	TITLE	VAPOR CAN SOLENOID
L	REVISION	CN	DATE	BY	CAD REF.	N/A	MODEL				PART NO.	PV597