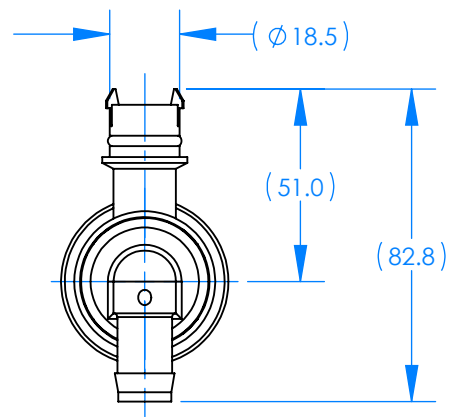
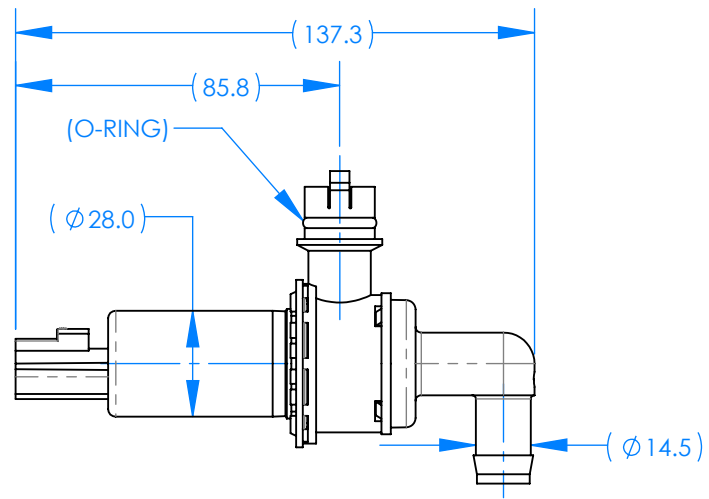
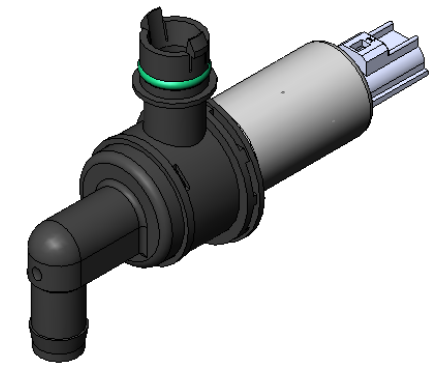
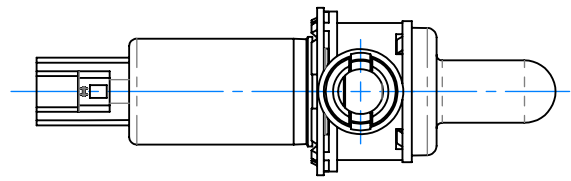
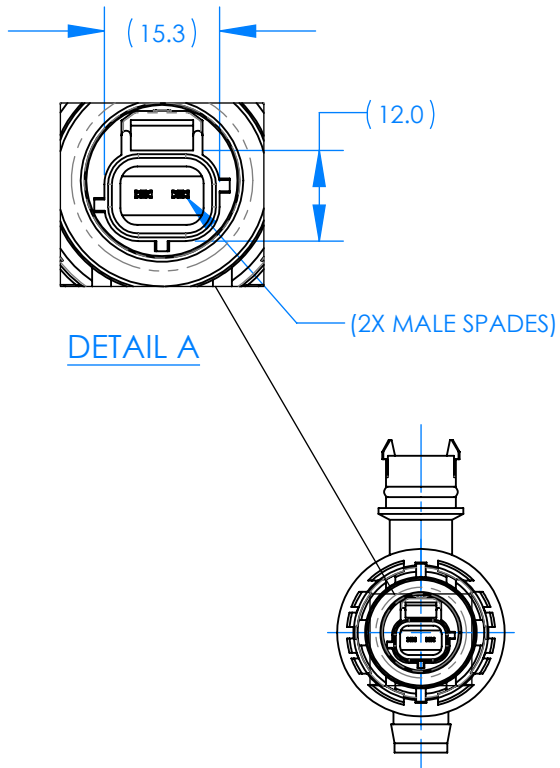


PART NO. **PV539**

TOLERANCES UNLESS SPECIFIED		
ONE PLACE DECIMALS +/- 0.3	TWO PLACE DECIMALS +/- 0.13	ANGLES +/- 1°



REPLACES O.E. #5U5Z-9F945-DA, 6L3Z-9F945-A

METRIC

ALL DIMENSIONS ARE REFERENCE ONLY

					MATERIAL	N/A	SCALE	NTS			
					FINISH	N/A	DATE	6-17-14		DWN. BY	GAH
							ENGINEER	6-17-14		DBP	
							APPROVED	6-17-14		TDS	
B	REDRAWN	38298	6-23-14	GH	CAD REF.	N/A	PURCH.	<input type="checkbox"/>	PROD.	<input type="checkbox"/>	
L	REVISION	CN	DATE	BY			MODEL				
								SHEET SIZE	A	PART NO.	PV539

Looking for dependable replacement emission control parts? Rely on WVE for quality and long-lasting products.