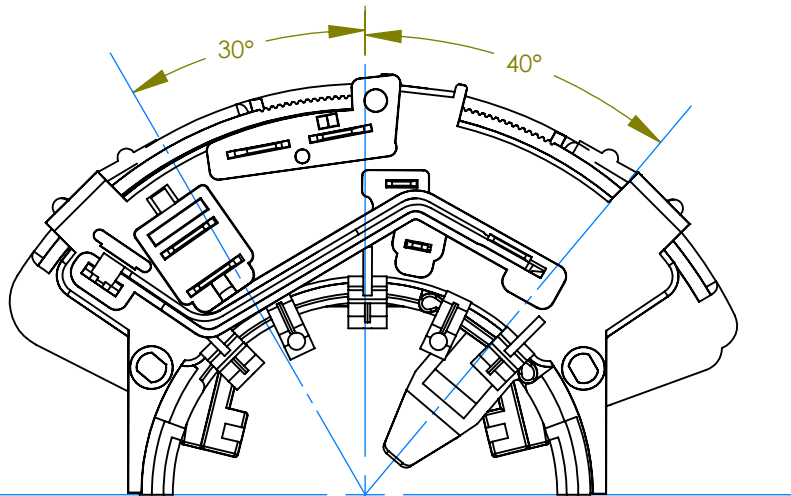
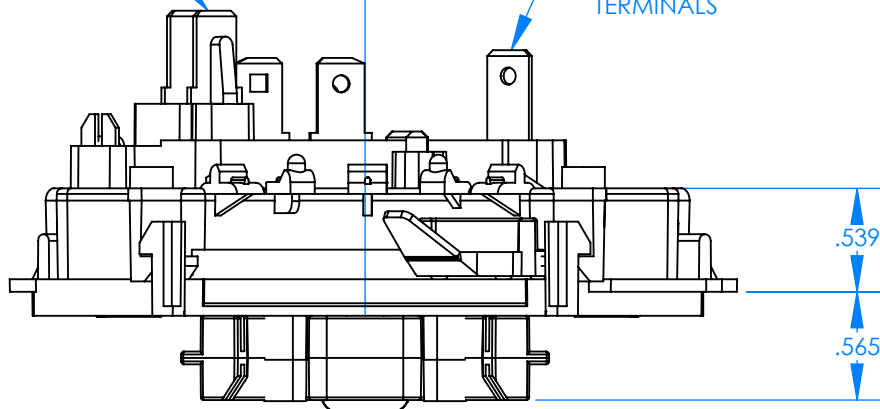


PART NO. <b>DR403</b>	TOLERANCES UNLESS SPECIFIED		
	TWO PLACE DECIMALS +/- .015	THREE PLACE DECIMALS +/- .005	ANGLES +/- 1°



2X .25 COPPER TERMINALS

3X .25 BRASS TERMINALS



CIRCUIT	ANGLE RANGE WHERE CONTINUOUS
5-6	-30° THRU -25°, -1° THRU +5°
7-8	-12° THRU -2°
8-10	-30° THRU -20°

REPLACES GM# 15679680, (D2258A)

					MATERIAL	N/A	SCALE	1:1	<b>WELLS</b>		
					FINISH	N/A	DATE	6-3-09		DWN. BY	SAM
							ENGINEER	6-3-09	RT	TITLE	NEUTRAL SAFETY SWITCH
							APPROVED	6-3-09	TDS		
A	REDRAWN	32307	6-3-09	SAM			PURCH.	<input type="checkbox"/>	PROD.	<input type="checkbox"/>	A PART NO. DR403
L	REVISION	CN	DATE	BY	CAD REF.	N/A	MODEL	N/A			

[View other replacement transmission parts made by WVE on our website.](#)