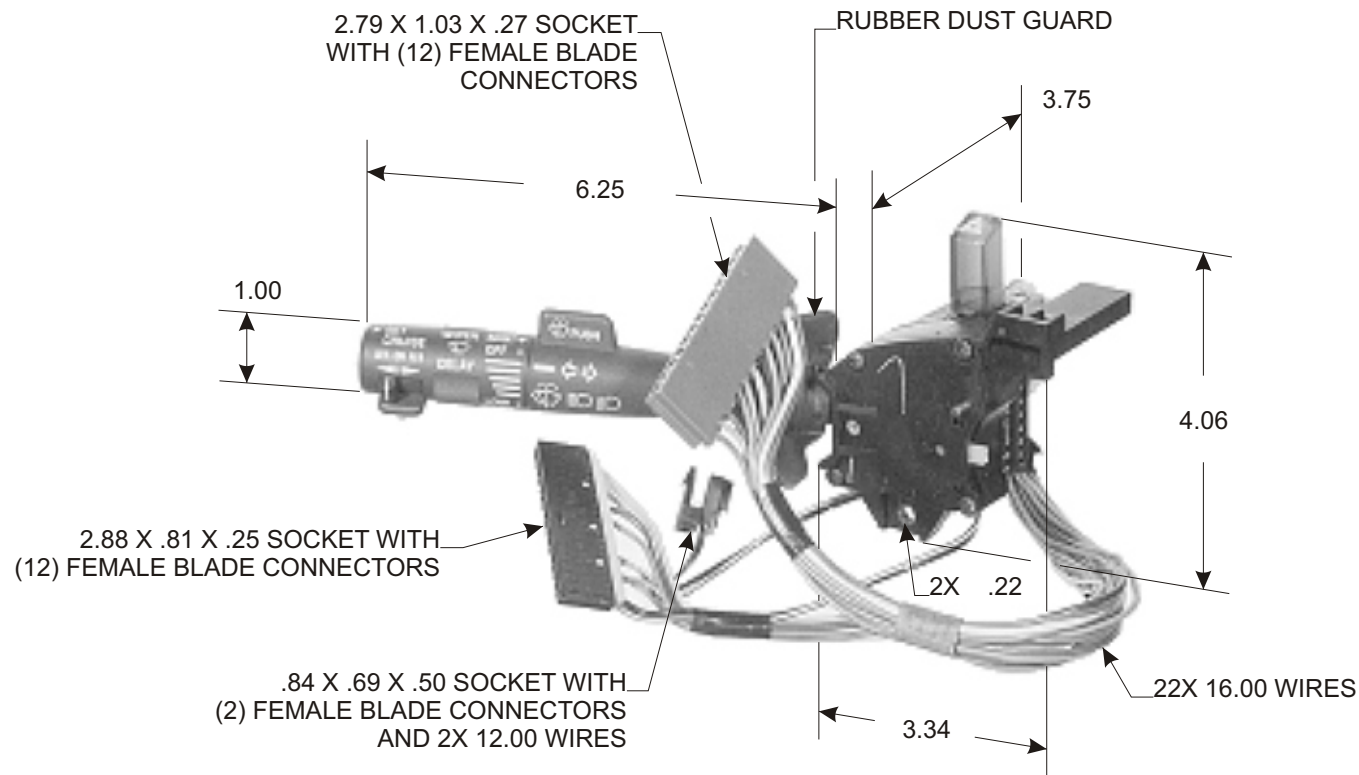


PART NO. SW952


TOLERANCES UNLESS SPECIFIED		
TWO PLACE DECIMALS +/- .015	THREE PLACE DECIMALS +/- .005	ANGLES +/- 1°



(A) (B) (C)

REPLACES O.E.M. # 26047330, 26054727, D826A, 26083629, 26091771, 26097021

NOTE: COMBINATION CRUISE CONTROL, DIMMER, TURN SIGNAL HAZARD WARNING LIGHT, AND WIPER SWITCH

					MATERIAL	N/A	SCALE	NTS			
C	ADDED OE # 26097021	24962	1-16-02	DAL	FINISH	N/A	DATE	10-21-97		DWN. BY	DPH
B	ADDED OE # 26091771	23978	2-7-01	DAB			ENGINEER	10-21-97		DAL	
A	ADDED OE # 26083629	23246	5-8-00	DL	APPROVED	10-21-97	JSK				
	RELEASED	20489	1-15-97	DPH	PURCH.	<input type="checkbox"/>	PROD.	<input type="checkbox"/>		TITLE	TURN SIGNAL SWITCH
L	REVISION	CN	DATE	BY	CAD REF.	SW952	MODEL		PART NO.	SW952	