

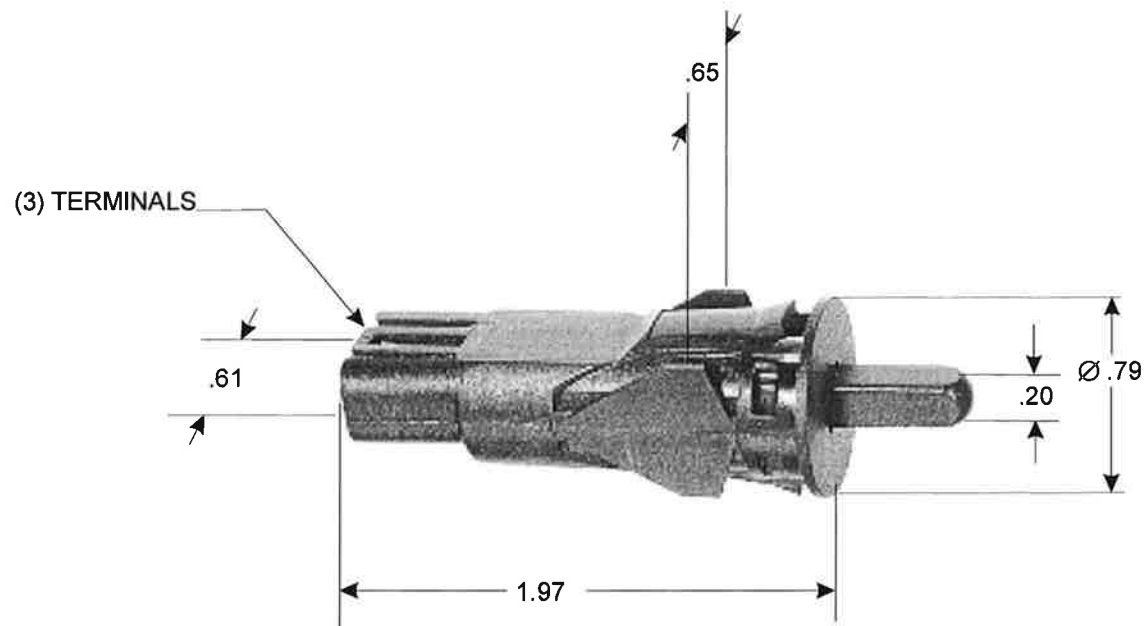
PART NO. **SW748**

TOLERANCES UNLESS SPECIFIED

TWO PLACE DECIMALS +/- .015

THREE PLACE DECIMALS +/- .005

ANGLES +/- 1°



Ⓐ

REPLACES O.E.M. # 15959494, 15687039, 1573995, 15639935, D6066

				MATERIAL	SCALE	NTS	WELLS MANUFACTURING CORP.	
					DATE	10-8-98	DWN. BY	RTN
				FINISH	ENGINEER	10-8-98	DAL	TITLE
A	ADDED O.E.#S	23255	5-10-00	GC	APPROVED	10-8-98	JSK	DOOR JAMB SWITCH
	RELEASED DRAWING	20330A	10-08-98	RTN	PURCH.	<input type="checkbox"/>	PROD.	<input type="checkbox"/>
L	REVISION	CN	DATE	BY	CAD REF.	SW748	MODEL	PART NO. SW748