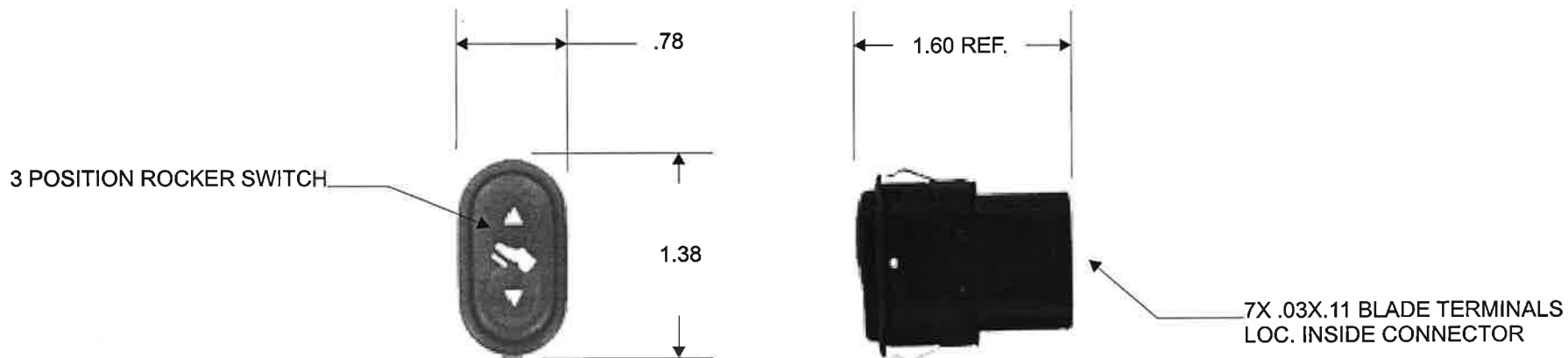


PART NO. **SW3986**

| TOLERANCES UNLESS SPECIFIED | | |
|-----------------------------|-------------------------------|---------------|
| TWO PLACE DECIMALS +/- .015 | THREE PLACE DECIMALS +/- .005 | ANGLES +/- 1° |



REPLACES O.E. # 1L2Z-9G604-AB

| | | | | | | | | | | |
|---|------------------|--------|----------|-----|----------|-----|----------|--------------------------|--|--------------------------|
| | | | | | MATERIAL | N/A | SCALE | NTS | WELLS MANUFACTURING CORP. FOND DU LAC, WISCONSIN | |
| | | | | | FINISH | N/A | DATE | 02-25-04 | | DWN. BY |
| | | | | | | | ENGINEER | 02-25-04 | DAL | |
| | | | | | | | APPROVED | 02-25-04 | JSK | |
| | RELEASED DRAWING | 27053A | 02-25-04 | KFJ | | | PURCH. | <input type="checkbox"/> | PROD. | <input type="checkbox"/> |
| L | REVISION | CN | DATE | BY | CAD REF. | N/A | MODEL | N/A | | PART NO. SW3986 |