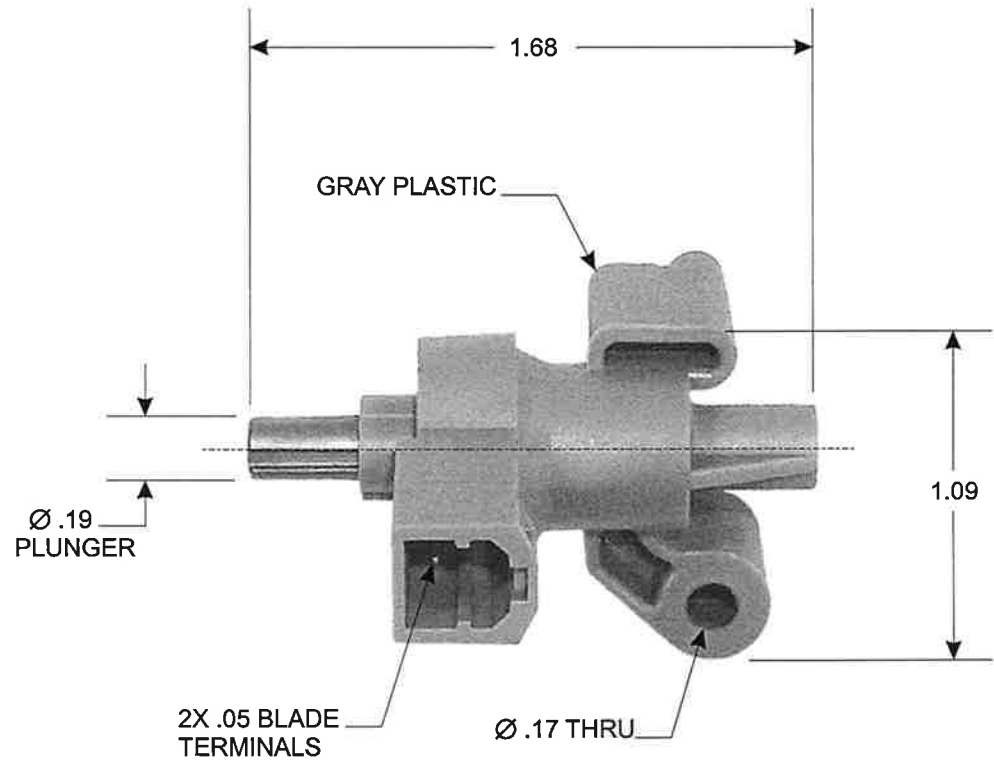


PART NO. SW3901

TOLERANCES UNLESS SPECIFIED  
 TWO PLACE DECIMALS +/- .015      THREE PLACE DECIMALS +/- .005      ANGLES +/- 1°



REPLACES O.E.M. # 2L2Z-15A851-AA

					MATERIAL	N/A	SCALE	NTS				
							DATE	5-16-03		DWN. BY	KLH	
					FINISH	N/A	ENGINEER	5-16-03			DAL	
							APPROVED	5-16-03			JSK	
	RELEASED DRAWING	26026A	5-16-03	KLH			PURCH.	<input type="checkbox"/>	PROD.	<input type="checkbox"/>	TITLE	PARKING BRAKE SWITCH
L	REVISION	CN	DATE	BY	CAD REF.	SW3901	MODEL				PART NO.	SW3901