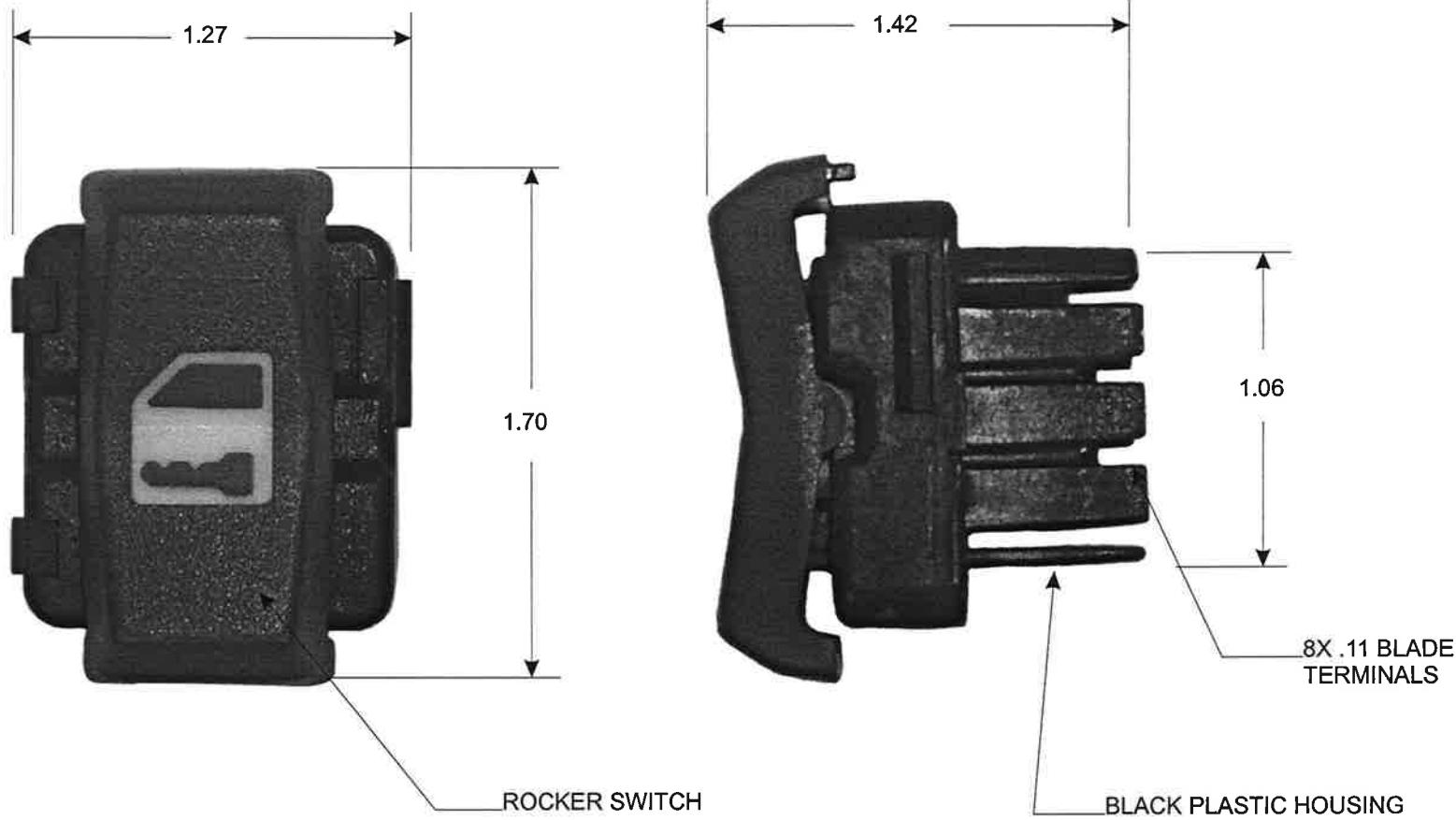


PART NO. SW3780

TOLERANCES UNLESS SPECIFIED		
TWO PLACE DECIMALS +/- .015	THREE PLACE DECIMALS +/- .005	ANGLES +/- 1°



REPLACES O.E.M. # 15151430

					MATERIAL	N/A	SCALE	NTS				
							DATE	5-9-03		DWN. BY	GC	
					FINISH	N/A	ENGINEER	5-9-03		DAL		
							APPROVED	5-9-03		JSK		
RELEASED DRAWING	26000A	5-9-03	GC				PURCH.	<input type="checkbox"/>	PROD.	<input type="checkbox"/>	TITLE	POWER DOOR LOCK SWITCH
L	REVISION	CN	DATE	BY	CAD REF.	N/A	MODEL				PART NO.	SW3780