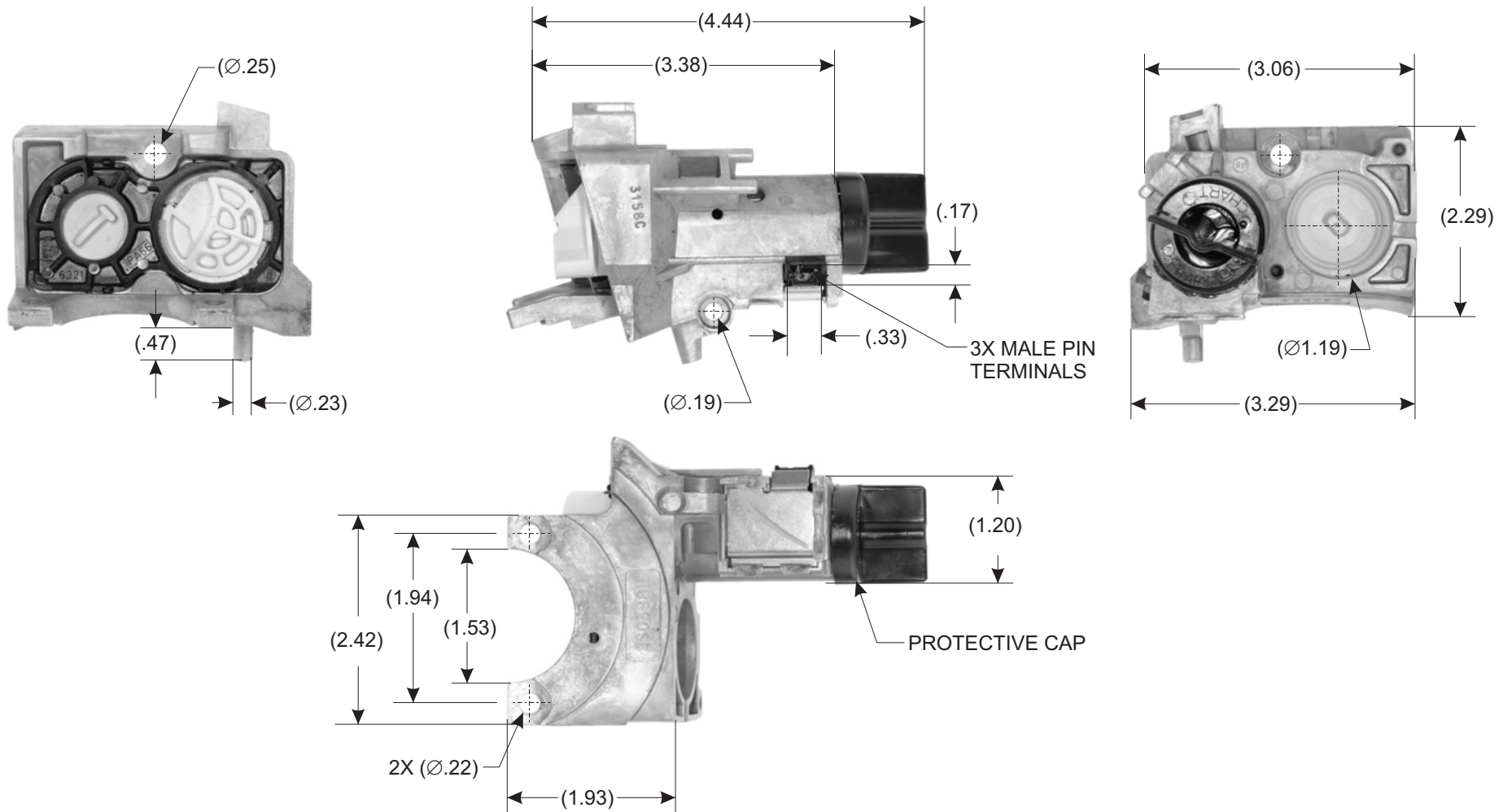



PART NO. LS1650

TOLERANCES UNLESS SPECIFIED
 TWO PLACE DECIMALS +/- .015 THREE PLACE DECIMALS +/- .005 ANGLES +/- 1°



REPLACES OE# 26049449

					MATERIAL	N/A	SCALE	NTS	 WELLS VEHICLE ELECTRONICS TITLE IGNITION STARTER SWITCH			
					FINISH	N/A	DATE	10-10-13				
							ENGINEER	10-10-13				
							APPROVED	10-10-13				
RELEASE DRAWING		37176	10-10-13	SAM			PURCH.	<input type="checkbox"/>	PROD.	<input type="checkbox"/>	PART NO.	LS1650
L	REVISION	CN	DATE	BY	CAD REF.	N/A	MODEL		N/A			