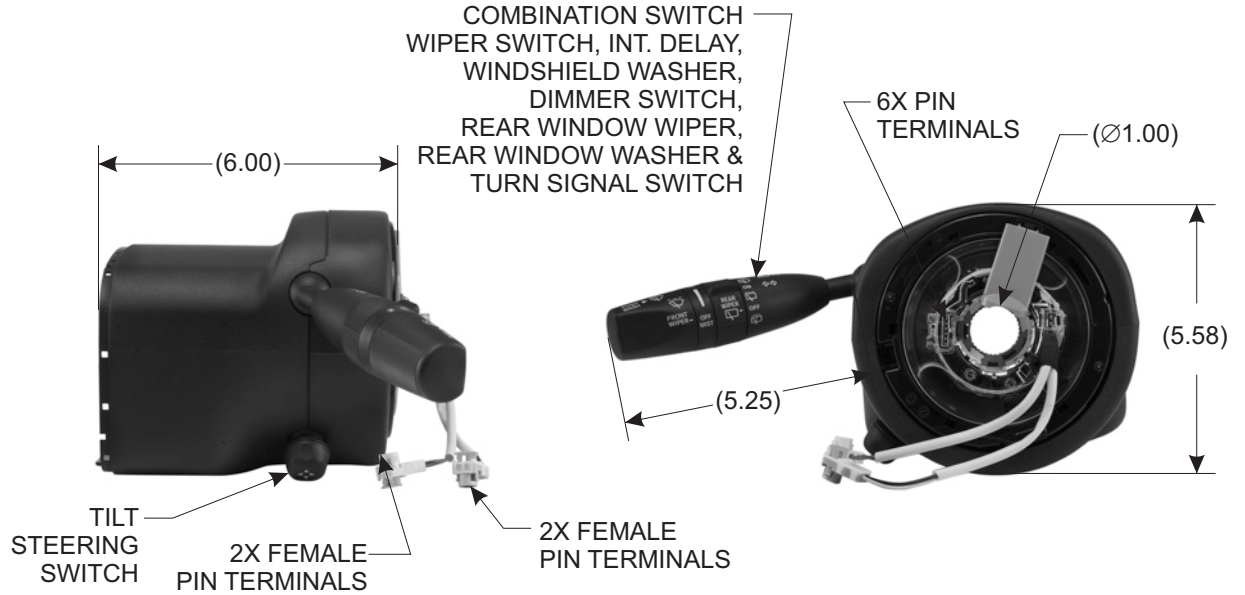
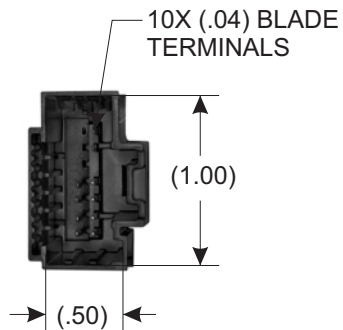
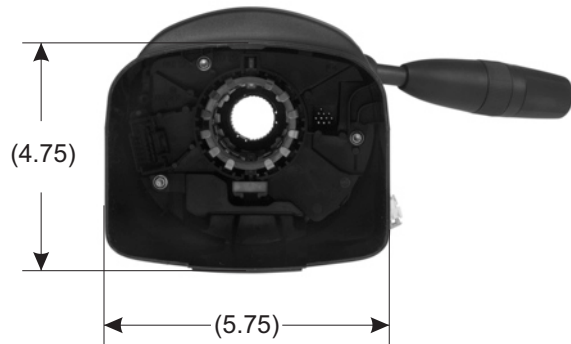


PART NO. SW8509

TOLERANCES UNLESS SPECIFIED		
TWO PLACE DECIMALS +/- .015	THREE PLACE DECIMALS +/- .005	ANGLES +/- 1°



REPLACES OE# 1HE80DX9AD, 1HE80DX9AH, 1HE80DX9AL

					MATERIAL	N/A	SCALE	NTS			
							DATE	11-11-11		DWN. BY	SAM
B	ADDED OE# 1HE80DX9AL	40452	1-18-16	SAM	FINISH	N/A	ENGINEER	11-11-11		RT	TITLE
A	ADDED OE# 1HE80DX9AH	37287	11-8-13	SAM			APPROVED	11-11-11		TDS	WIPER SWITCH
	RELEASE DRAWING	34262A	11-11-11	SAM	PURCH.	<input type="checkbox"/>	PROD.	<input type="checkbox"/>		PART NO.	SW8509
L	REVISION	CN	DATE	BY	CAD REF.	N/A	MODEL	N/A			

Shop for quality WVE products on our website.

Learn more about wipers and washers we have.