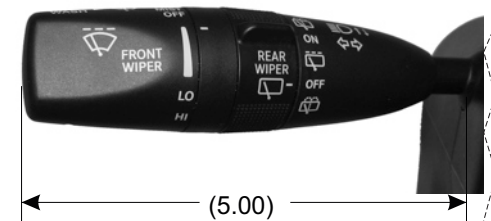
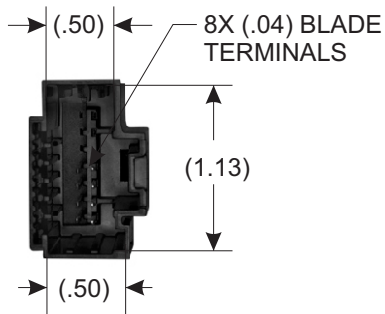
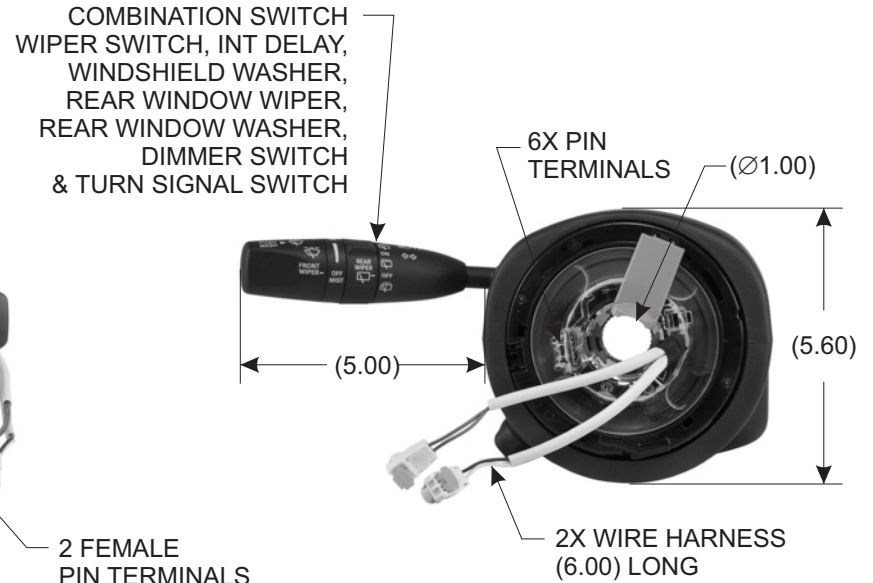
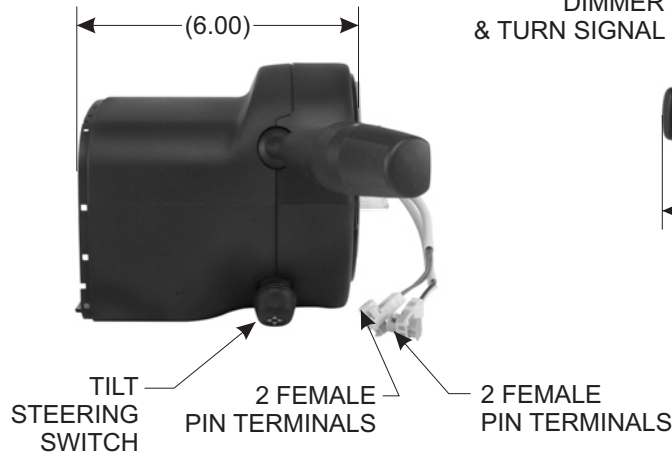
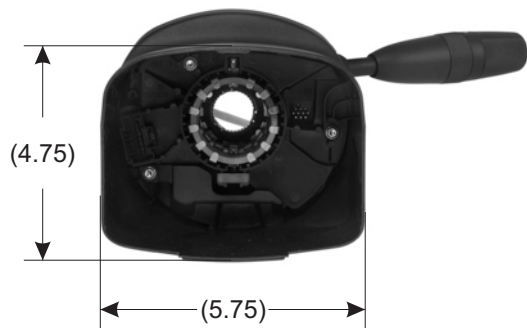


PART NO. SW8507

TOLERANCES UNLESS SPECIFIED		
TWO PLACE DECIMALS +/- .015	THREE PLACE DECIMALS +/- .005	ANGLES +/- 1°



NEW DESIGN

REPLACES OE# 1HE79DX9AD, 1HE79DX9AL ^(A)

^(A)

					MATERIAL	N/A	SCALE	NTS			
							DATE	11-8-11		DWN. BY	SAM
					FINISH	N/A	ENGINEER	11-8-11			RT
A	ADDED NEW DESIGN & OE# 1HE79DX9AL	41588	9-30-16	SAM			APPROVED	11-8-11			TDS
	RELEASE DRAWING	34260A	11-8-11	SAM			PURCH.	<input type="checkbox"/>		PROD.	<input type="checkbox"/>
L	REVISION	CN	DATE	BY	CAD REF.	N/A	MODEL	N/A	TITLE		
									WIPER SWITCH		
									PART NO.		
									SW8507		

Shop for quality WVE products on our website.

Learn more about wipers and washers we have.