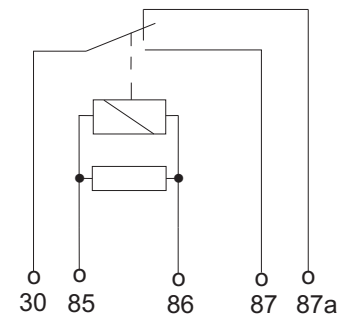
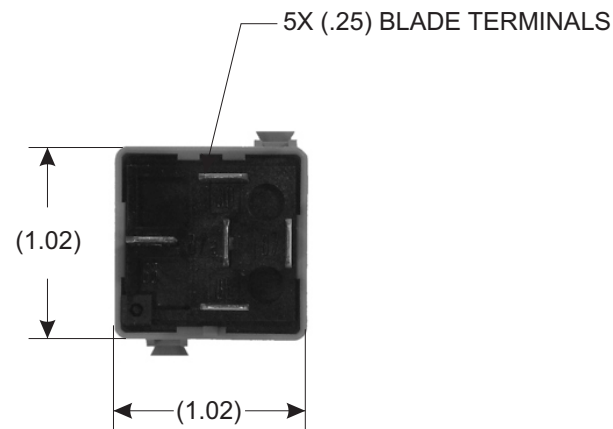
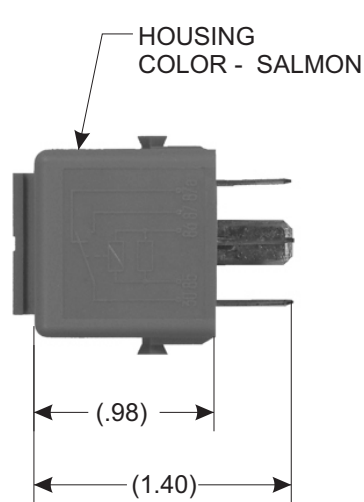


PART NO. 20954

TOLERANCES UNLESS SPECIFIED		
TWO PLACE DECIMALS +/- .015	THREE PLACE DECIMALS +/- .005	ANGLES +/- 1°



REPLACES OE# 12 63 1 742 690

				MATERIAL	N/A	SCALE	NTS	<b>WELLS</b> VEHICLE ELECTRONICS	
						DATE	10-11-11		DWN. BY
				FINISH	N/A	ENGINEER	10-11-11	RT	TITLE
						APPROVED	10-11-11	TDS	RELAY
	RELEASE DRAWING	33825A	10-11-11	SAM		PURCH.	<input type="checkbox"/>	PROD.	<input type="checkbox"/>
L	REVISION	CN	DATE	BY	CAD REF.	MODEL	N/A	PART NO.	20954

Looking for dependable replacement emission control parts? Rely on WVE for quality and long-lasting products.