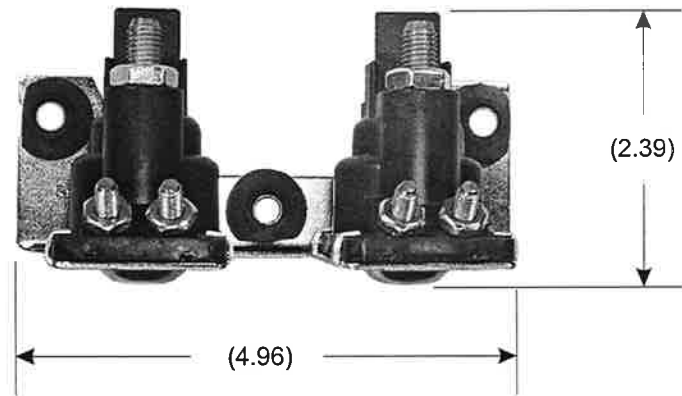
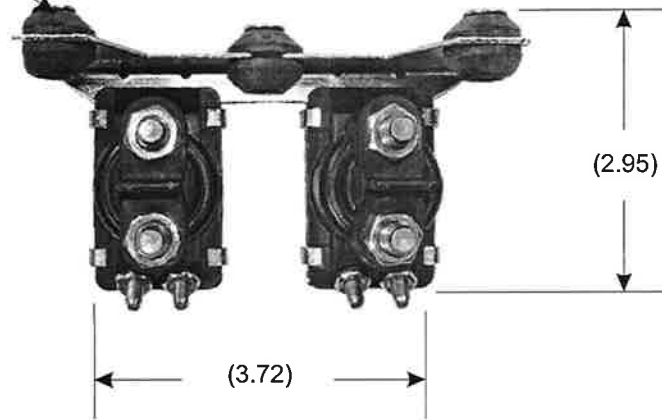


PART NO.
20487

TOLERANCES UNLESS SPECIFIED		
TWO PLACE DECIMALS +/- .015	THREE PLACE DECIMALS +/- .005	ANGLES +/- 1°

3X RUBBER MOUNTS



REPLACES O.E.# 56026842

				MATERIAL	N/A	SCALE	NTS	WELLS MANUFACTURING CORP. FOND DU LAC, WISCONSIN			
						DATE	2-28-06		DWN. BY	GC	
				FINISH	N/A	ENGINEER	2-28-06	DAL	TITLE	RELAY	
						APPROVED	2-28-06	JSK			
	RELEASED DRAWING	28907A	2-28-06	GC		PURCH.	<input type="checkbox"/>	PROD.	<input type="checkbox"/>	PART NO.	20487
L	REVISION	CN	DATE	BY	CAD REF.	N/A	MODEL				

Looking for dependable replacement air intake parts? Rely on WVE for quality and long-lasting products.