

4

3

2

1

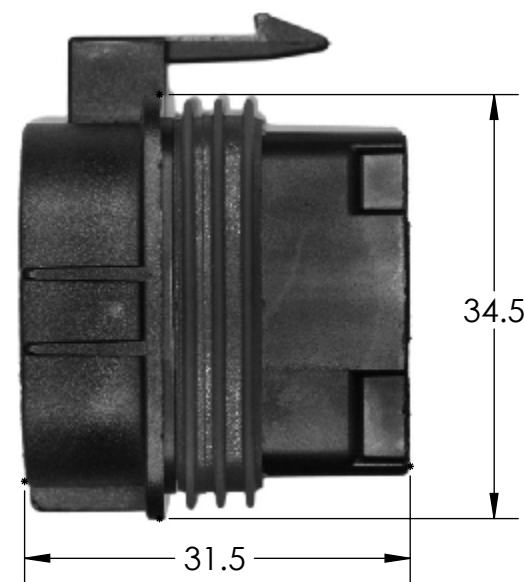
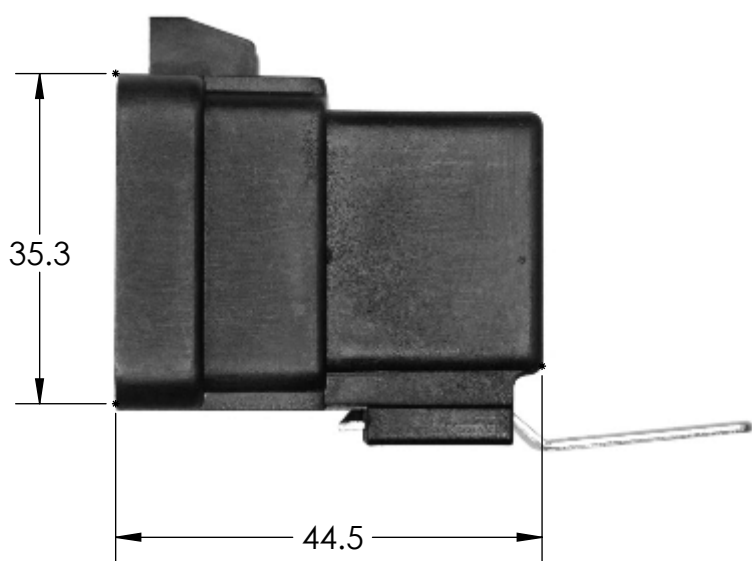
REVISION				
REV.	DESCRIPTION	ECN	DATE	BY
-	RELEASED	45411	01/23/2020	NRP



B

5X MALE TERMINALS

A



NOTE:

1. ALL DIMENSIONS ARE REFERENCE.
2. NOT ALL HARDWARE KIT ITEMS ARE SHOWN, ADDITIONAL ITEMS MAY BE INCLUDED.
3. RELAY BRACKET IS OPTIONAL.
4. REPLACES O.E.M.#: 04687146, 04707900AA, 68142156AA, 68142156AC, 463827, AND 56006904

KEY CHARACTERISTIC		◇KPC/KCC 0 TOTAL 0 LAST NO. USED		○SC 0 TOTAL 0 LAST NO. USED	
DATE	01/23/2020	SCALE	NTS	DRAWN BY	NRP
MATERIAL			ENGINEER		
FINISH			SCC		
TITLE			RELAY		
UNLESS OTHERWISE SPECIFIED DIM ARE IN MILLIMETERS ANGLE ±1° .X±0.3 .XX±0.13 GD&T ASME Y14.5-2009		THIRD ANGLE		TYPE	SIZE
				B	1 OF 1
				MODEL	PART NO.
					1R1685
				REV	-