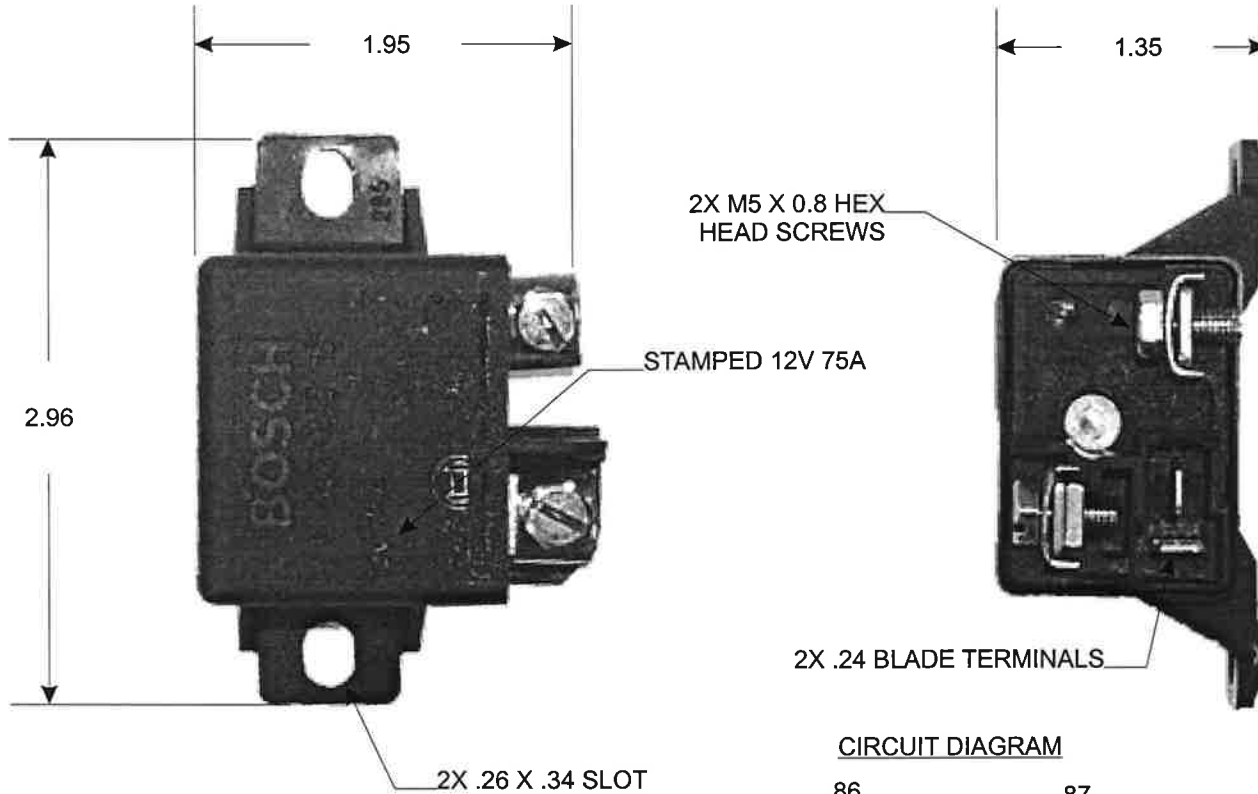
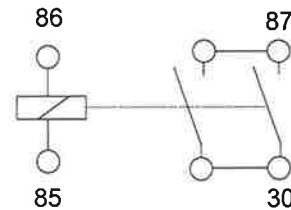


PART NO. 20274

TOLERANCES UNLESS SPECIFIED		
TWO PLACE DECIMALS +/- .015	THREE PLACE DECIMALS +/- .005	ANGLES +/- 1°



CIRCUIT DIAGRAM



REPLACES O.E.# 0 332 002 150, 12513368

				MATERIAL	N/A	SCALE	NTS	<b>WELLS</b> MANUFACTURING CORP. FOND DU LAC, WISCONSIN		
				FINISH	N/A	DATE	10-22-03		DWN. BY	DWJ
						ENGINEER	10-22-03	DAL	TITLE	RELAY
						APPROVED	10-22-03	JSK	PART NO.	20274
RELEASED DRAWING	26537A	10-22-03	DWJ			PURCH.	<input type="checkbox"/>	PROD.	<input type="checkbox"/>	
L	REVISION	CN	DATE	BY	CAD REF.	N/A	MODEL	N/A		