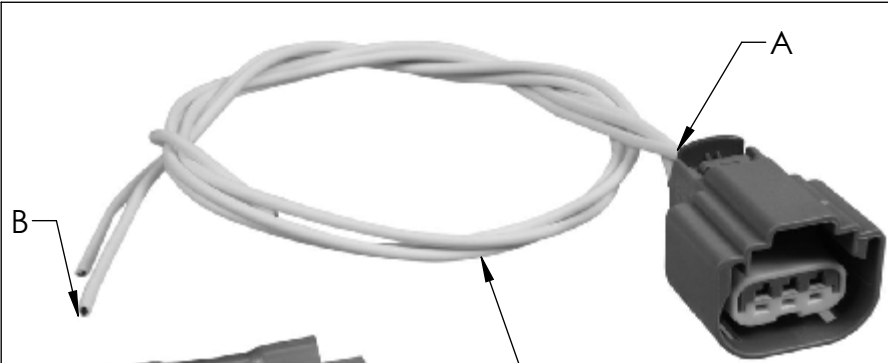


2

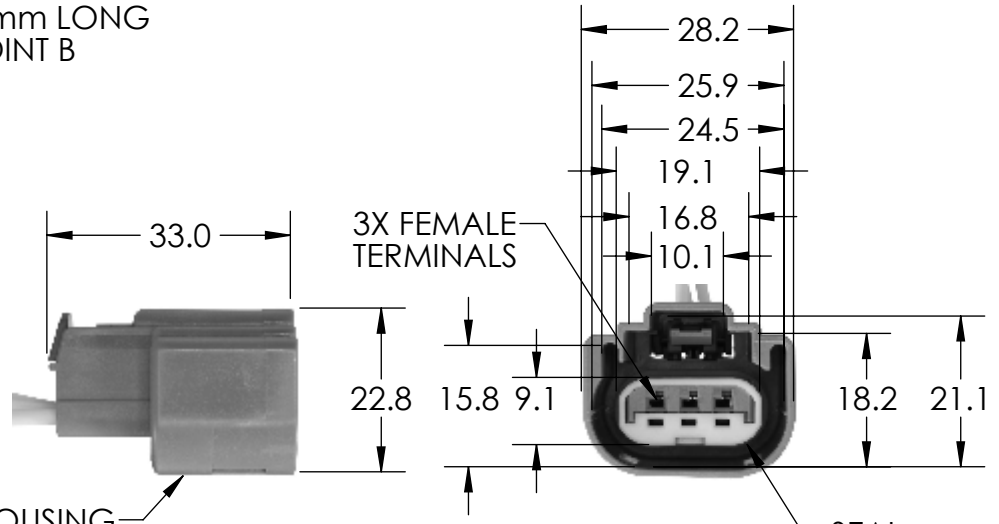
1



2X WIRE LEADS 476.3mm LONG FROM POINT A TO POINT B

NOTE: OE MAY OR MAY NOT SUPPLY (OPTIONAL) WIRE SPlicing COMPONENTS (BUTT CONNECTORS, SHRINK TUBING, WIRE CLIPS, ETC.) IN QUANTITIES TO MATCH THE NUMBER OF PIGTAIL TERMINAL WIRES FOR SPlicing. IF PRESENT, DISREGARD ANY BUTT SPLICE (OR OTHER COMPONENT) PRINTING AND MATERIAL COLOR DISCREPANCIES.

HOUSING COLOR - GRAY



CONNECTOR VIEW

REVISION				
REV.	DESCRIPTION	ECN	DATE	BY
-	RELEASED	44781	6/26/2019	SAM

KEY CHARACTERISTIC		◇KPC/KCC 0 TOTAL 0 LAST NO. USED		○SC 0 TOTAL 0 LAST NO. USED	
DATE	6/26/2019	SCALE	NTS	DRAWN BY	 FOND DU LAC, WISCONSIN
MATERIAL				SAM	
FINISH				ENGINEER	
				BJL	
				TITLE	
				PIGTAIL	
UNLESS OTHERWISE SPECIFIED DIM ARE IN MILLIMETERS ANGLE ±1° .X±0.3 .XX±0.13 GD&T ASME Y14.5-2009		 THIRD ANGLE		TYPE	
		SIZE	A	SHEET	1 OF 1
		MODEL		PART NO.	1P3397
				REV	-

NOTE:  
1. ALL DIMENSIONS ARE REFERENCE.

REPLACES O.E.M. # 19300594 ACD# PT2975