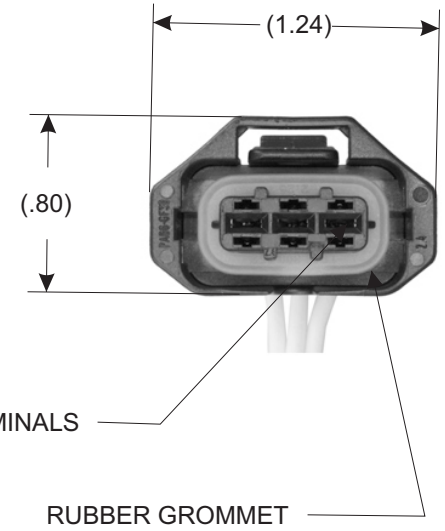
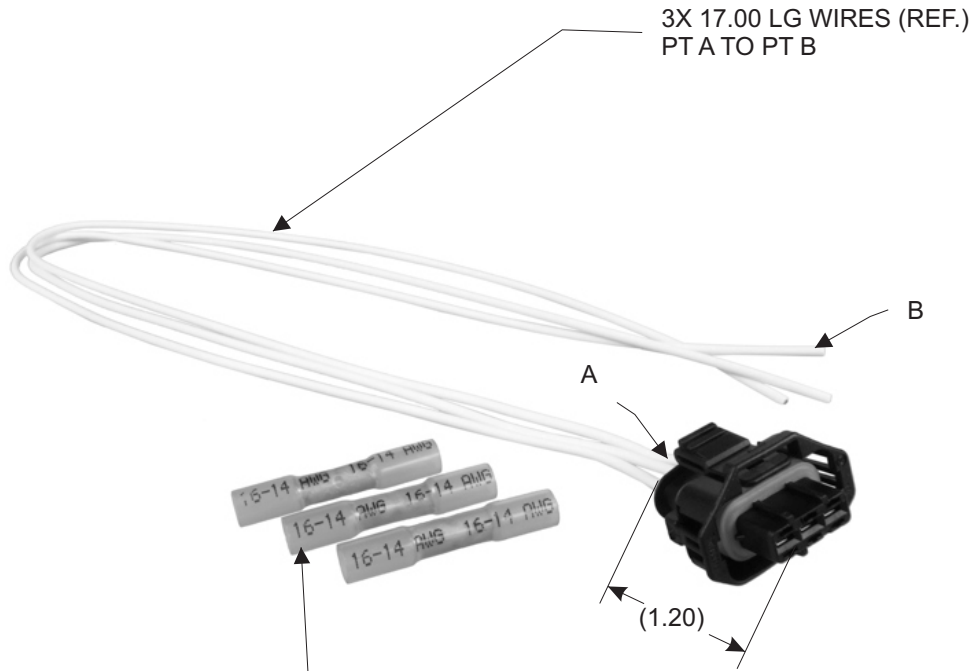


PART NO. 1933

TOLERANCES UNLESS SPECIFIED		
TWO PLACE DECIMALS +/- .015	THREE PLACE DECIMALS +/- .005	ANGLES +/- 1°



REPLACES O.E. # 13584311, PT2769

					MATERIAL	N/A	SCALE	NTS				
					FINISH	N/A	DATE	10-30-15		DWN. BY	GC	
							ENGINEER	10-30-15		PAH		
							APPROVED	10-30-15		TDS		
	RELEASE DRAWING	40133	10-30-15	GC			PURCH.	<input type="checkbox"/>	PROD.	<input type="checkbox"/>	TITLE	PIGTAIL
L	REVISION	CN	DATE	BY	CAD REF.	N/A	MODEL				PART NO.	1933