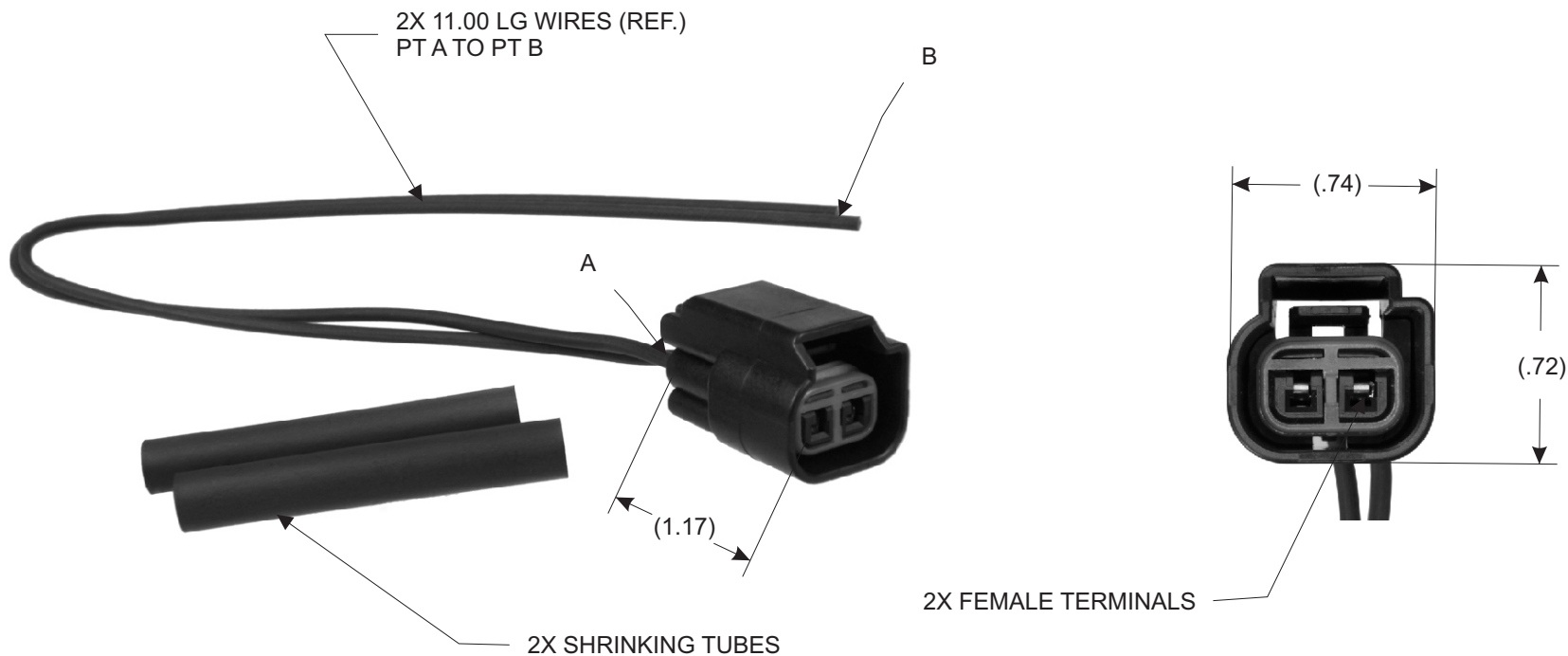


PART NO. 1855

TOLERANCES UNLESS SPECIFIED		
TWO PLACE DECIMALS +/- .015	THREE PLACE DECIMALS +/- .005	ANGLES +/- 1°



REPLACES O.E. # 8U2Z-14S411-EA, WPT-905

					MATERIAL	N/A	SCALE	NTS	WELLS VEHICLE ELECTRONICS		
							DATE	11-20-15		DWN. BY	GC
					FINISH	N/A	ENGINEER	11-20-15	RLT	TITLE	PIGTAIL
							APPROVED	11-20-15	TDS	PART NO.	1855
RELEASE DRAWING		40204	11-20-15	GC			PURCH.	<input type="checkbox"/>	PROD.	<input type="checkbox"/>	
L	REVISION	CN	DATE	BY	CAD REF.	N/A	MODEL				