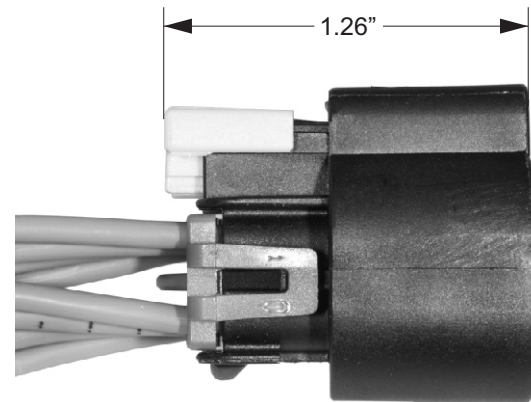
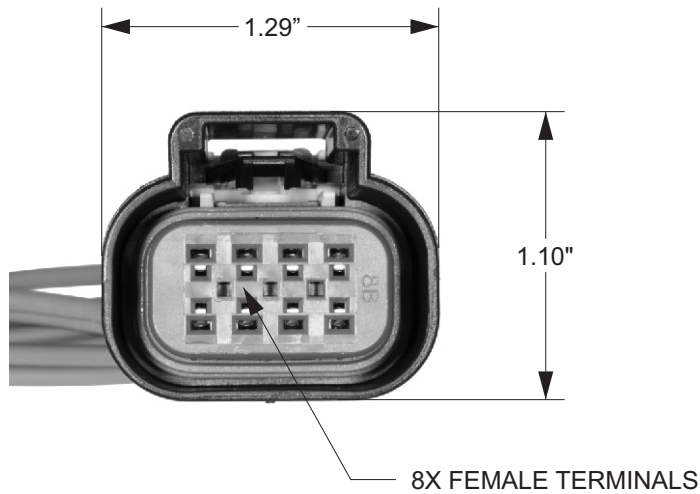
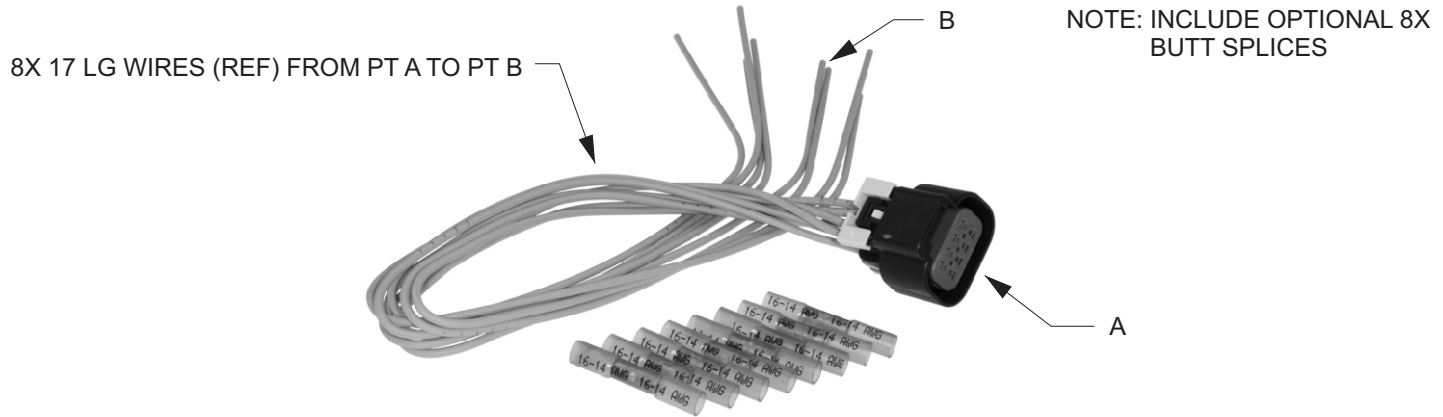



PART NO. 1438

TOLERANCES UNLESS SPECIFIED		
TWO PLACE DECIMALS +/- .015	THREE PLACE DECIMALS +/- .005	ANGLES +/- 1°



REPLACES OE# 13580112, PT2628

					MATERIAL	N/A	SCALE	NTS				
					FINISH	N/A	DATE	05/19/14		DWN. BY	NAK	
							ENGINEER	05/19/14		PAH		
							APPROVED	05/19/14		TDS		
	RELEASE DRAWING	38145	5/19/14	NAK			PURCH.	<input type="checkbox"/>	PROD.	<input type="checkbox"/>	TITLE	PIGTAIL
L	REVISION	CN	DATE	BY	CAD REF.	N/A	MODEL				PART NO.	1438