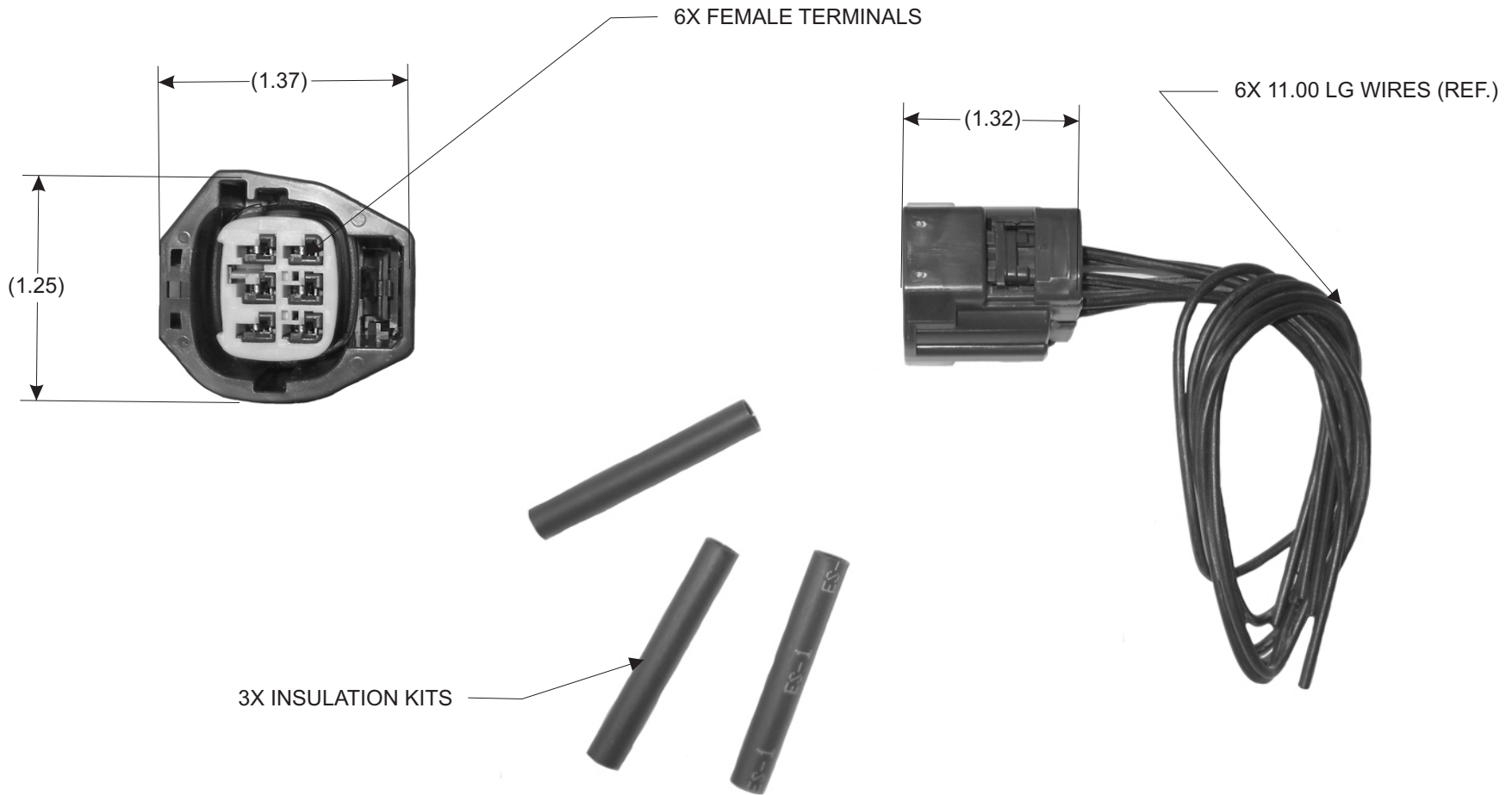



PART NO. 1116	TOLERANCES UNLESS SPECIFIED		
	TWO PLACE DECIMALS +/- .015	THREE PLACE DECIMALS +/- .005	ANGLES +/- 1°



REPLACES OE # 3U2Z-14S411-BSA, WPT-228

					MATERIAL	N/A	SCALE	NTS				
							DATE	12-15-11		DWN. BY	GC	
					FINISH	N/A	ENGINEER	12-15-11		PAH		
							APPROVED	12-15-11		TDS		
	RELEASE DRAWING	34437A	12-15-11	GC			PURCH.	<input type="checkbox"/>	PROD.	<input type="checkbox"/>	TITLE	PIGTAIL
L	REVISION	CN	DATE	BY	CAD REF.	N/A	MODEL				PART NO.	1116