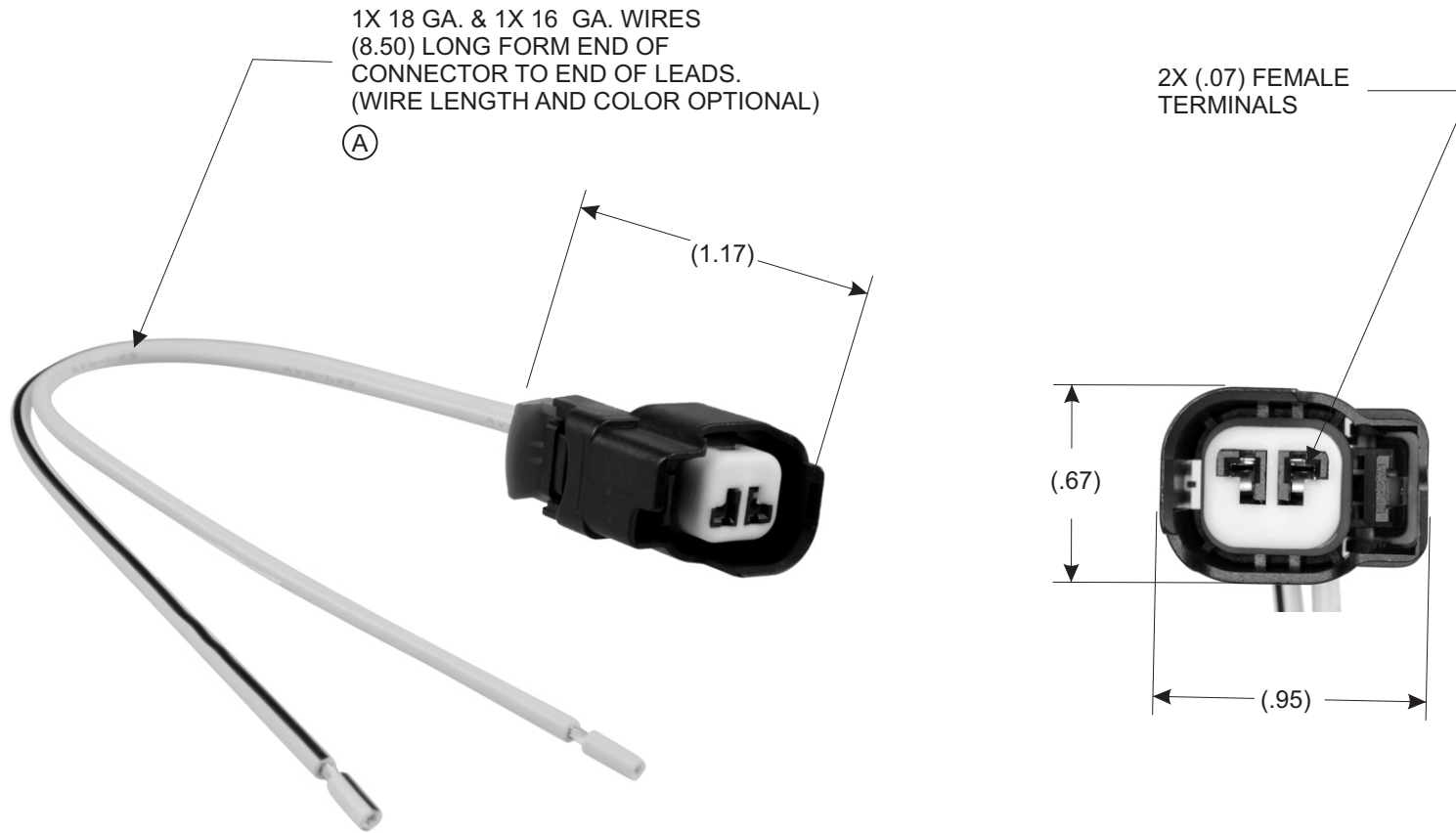


PART NO. <b>712</b>	TOLERANCES UNLESS SPECIFIED		
	TWO PLACE DECIMALS +/- .015	THREE PLACE DECIMALS +/- .005	ANGLES +/- 1°



REPLACES O.E.M. # 99-8261, S824

(B)  
REPLACES WELLS# 925

NOTE: REPAIR HARNESS - FUEL INJECTORS WITH OVAL INJECTOR CONNECTORS

				MATERIAL	N/A	SCALE	NTS			
						DATE	12-17-08		DWN. BY	SAM
B	ADDED REPLACES WELL#925	40039	9-29-15	SAM		ENGINEER	12-17-08		DAL	
A	REVISED PRINT TO MATCH PART, SEE ECN	39011	1-13-15	GC	FINISH	APPROVED	12-17-08		TDS	TITLE
	RELEASED DRAWING	31443A	12-17-08	SAM	N/A	PURCH.	<input type="checkbox"/>		PROD.	<input type="checkbox"/>
L	REVISION	CN	DATE	BY	CAD REF.	N/A	MODEL	N/A	PART NO.	
									<b>712</b>	

View other replacement brake parts made by WVE on our website.