

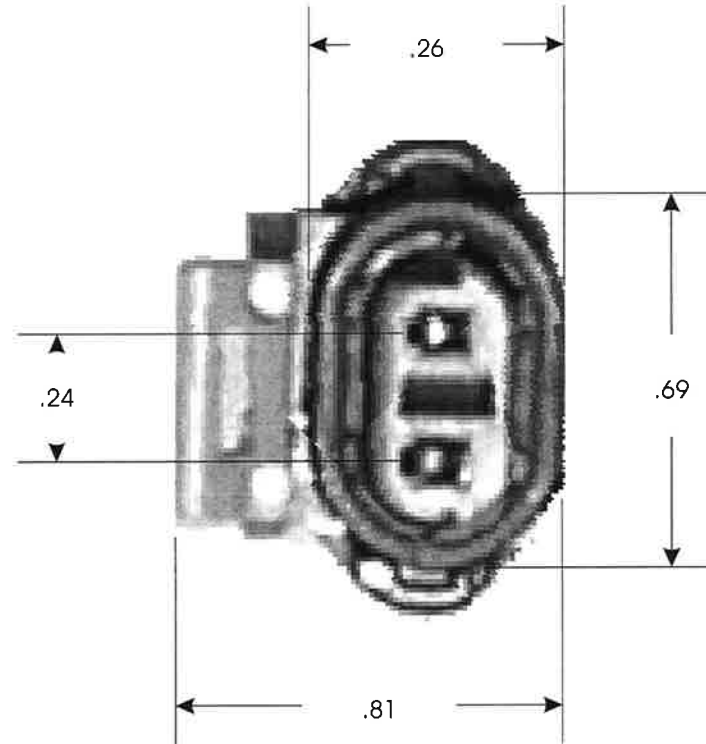
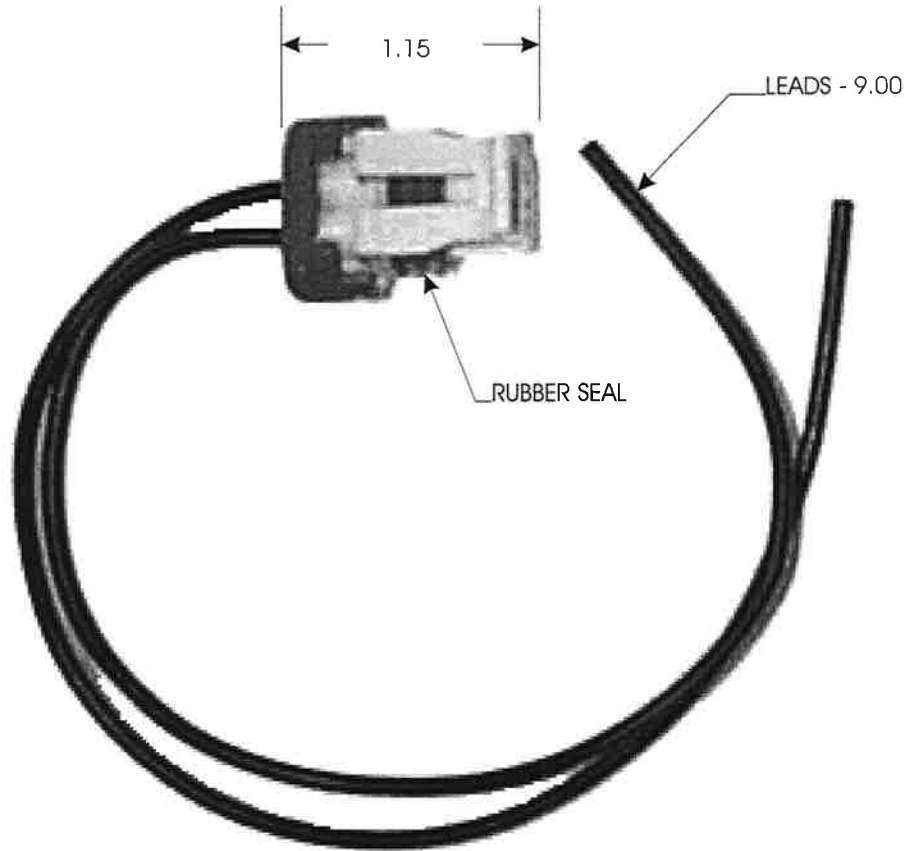
PART NO. 247

TOLERANCES UNLESS SPECIFIED

TWO PLACE DECIMALS +/- .015

THREE PLACE DECIMALS +/- .005

ANGLES +/- 1°



REPLACES O.E. # 1999161, 10456328.

					MATERIAL	SCALE	NTS	WELLS MFG. CORP. FOND DU LAC, WISCONSIN TITLE HORN PIGTAIL ASSEMBLY PART NO. 247	
					FINISH	DATE	2-27-95		DWN. BY JAC
						ENGINEER	2-27-95		DAL
						APPROVED	2-27-95		JSK
RELEASED		18993A	2-27-95	JAC		PURCH.	<input type="checkbox"/>	PROD.	<input type="checkbox"/>
L	REVISION	CN	DATE	BY	CAD REF.	247	MODEL		

Looking for dependable replacement trunks, tailgates and components? Rely on WVE for quality and long-lasting products.